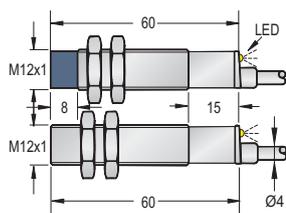


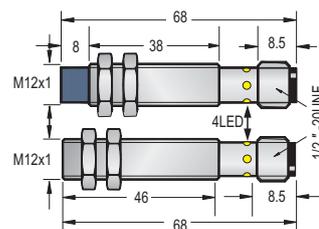


**Features**

- M12mm diameter
- Sn=2mm, shielded  
4mm, non-shielded
- 20-250VAC operating voltage
- Brass housing case  
PBT Resin housing case
- NO, NC Function
- Cable version  
3 Pin M12 connector version
- IP67 Protection



(Unit: mm)



(Unit: mm)



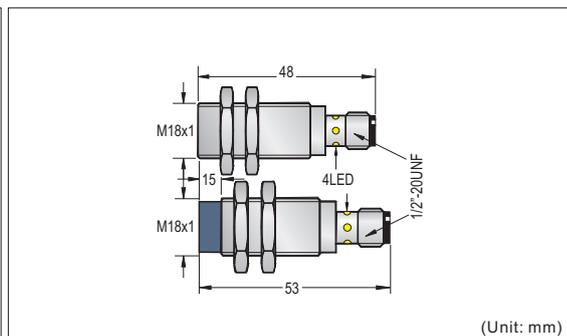
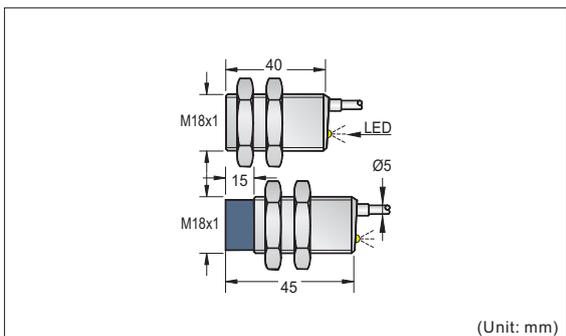
Connection		2m Cable		3 Pin M12 Connector	
Mounting		Shielded	Non-shielded	Shielded	Non-shielded
Brass Case	AC-NO	L8AE12P02A	L8AF12P04A	L8AE12P02L	L8AF12P04L
	AC-NC	L8AE12Q02A	L8AF12Q04A	L8AE12Q02L	L8AF12Q04L
PBT Case	AC-NO	L8ME12P02A	L8MF12P04A	L8ME12P02L	L8MF12P04L
	AC-NC	L8ME12Q02A	L8MF12Q04A	L8ME12Q02L	L8MF12Q04L
General Data					
Housing size		M12mm		M12mm	
Installation type		Shielded	Non-shielded	Shielded	Non-shielded
Sensing distance(Sn: mm)		2mm	4mm	2mm	4mm
Standard sensing object		Steel 12x12x1mm	Steel 12x12x1mm	Steel 12x12x1mm	Steel 12x12x1mm
Effective sensing distance (Sr: mm)		90 ... 110% of Sn		90 ... 110% of Sn	
Assured operating distance(Sa: mm)		0 ... 80% of Sn		0 ... 80% of Sn	
Hysteresis		<15%		<15%	
Housing material		Nickel plated brass/PBT Resin		Nickel plated brass/PBT Resin	
Operating voltage		20 ... 250VAC		20 ... 250VAC	
Electrical Data					
Rated operating voltage		110VAC		110VAC	
Repeated accuracy		±10%		±10%	
Surge current		5A(20ms)		5A(20ms)	
No load current		<1.8mA		<1.8mA	
Max. Load current		400mA		400mA	
Leakage current		<1.8mA		<1.8mA	
Voltage drop		<8VAC at 400mA		<8VAC at 400mA	
Switching frequency		25Hz		25Hz	
Response time		10ms/10ms		10ms/10ms	
Rated insulation voltage		250VAC		250VAC	
Operating temperature		-25°C ... +70°C		-25°C ... +70°C	
Storage temperature		-40°C ... +80°C		-40°C ... +80°C	
Temperature drift		<10%		<10%	
Power indicator		No		No	
Function indicator		Yellow LED		Yellow LED	
Reverse polarity protection		No		No	
Short-circuit protection		No		No	
Min. load current		5mA		5mA	
Correction factors		Fe37 steel=1/stainless steel approx. 0.85/brass approx. 0.5/ Al. Approx. 0.45/copper approx. 0.4		Fe37 steel=1/stainless steel approx. 0.85/brass approx. 0.5/ Al. Approx. 0.45/copper approx. 0.4	
Mechanical Data					
Sensing surface material		PBT		PBT	
Protection		IP67		IP67	
Shock rating		Shock, half-sinus, 30gn, 11ms		Shock, half-sinus, 30gn, 11ms	
Vibration rating		55Hz, 1mm ampl., 3x30min.		55Hz, 1mm ampl., 3x30min.	
EMC		IEC 60947-5-2		IEC 60947-5-2	
Accessory		2 nuts		2 nuts	
Connection		2m PVC cable (Ø4 3/2x0.34mm <sup>2</sup> )		Micro-style 3 Pin M12 connector(1/2" -20UNF)	
Weight		Approx. 77g		Approx. 32g	



**Features**

- M18mm diameter
- Sn=5mm, shielded  
8mm, non-shielded
- 20-250VAC operating voltage
- Brass housing case  
PBT Resin housing case
- NO, NC Function
- Cable version  
3 Pin M12 connector version
- IP67 Protection

**CE**



Connection		2m Cable		3 Pin M12 Connector	
Mounting		Shielded	Non-shielded	Shielded	Non-shielded
Brass Case	AC-NO	L8AC18P05A	L8AD18P08A	L8AC18P05L	L8AD18P08L
	AC-NC	L8AC18Q05A	L8AD18Q08A	L8AC18Q05L	L8AD18Q08L
PBT Case	AC-NO	L8MC18P05A	L8MD18P08A	L8MC18P05L	L8MD18P08L
	AC-NC	L8MC18Q05A	L8MD18Q08A	L8MC18Q05L	L8MD18Q08L

General Data		M18mm		M18mm	
Housing size		M18mm		M18mm	
Installation type		Shielded	Non-shielded	Shielded	Non-shielded
Sensing distance(Sn: mm)		5mm	8mm	5mm	8mm
Standard sensing object		Steel 18x18x1mm	Steel 18x18x1mm	Steel 18x18x1mm	Steel 18x18x1mm
Effective sensing distance (Sr: mm)		90 ... 110% of Sn		90 ... 110% of Sn	
Assured operating distance(Sa: mm)		0 ... 80% of Sn		0 ... 80% of Sn	
Hysteresis		<15%		<15%	
Housing material		Nickel plated brass/PBT Resin		Nickel plated brass/PBT Resin	
Operating voltage		20 ... 250VAC		20 ... 250VAC	

Electrical Data		M18mm		M18mm	
Rated operating voltage		110VAC		110VAC	
Repeated accuracy		±10%		±10%	
Surge current		5A(20ms)		5A(20ms)	
No load current		<1.8mA		<1.8mA	
Max. Load current		400mA		400mA	
Leakage current		<1.8mA		<1.8mA	
Voltage drop		<8VAC at 400mA		<8VAC at 400mA	
Switching frequency		25Hz		25Hz	
Response time		10ms/10ms		10ms/10ms	
Rated insulation voltage		250VAC		250VAC	
Operating temperature		-25°C ... +70°C		-25°C ... +70°C	
Storage temperature		-40°C ... +80°C		-40°C ... +80°C	
Temperature drift		<10%		<10%	
Power indicator		No		No	
Function indicator		Yellow LED		Yellow LED	
Reverse polarity protection		No		No	
Short-circuit protection		No		No	
Min. load current		5mA		5mA	
Correction factors		Fe37 steel=1/stainless steel approx. 0.85/brass approx. 0.5/ Al. Approx. 0.45/copper approx. 0.4		Fe37 steel=1/stainless steel approx. 0.85/brass approx. 0.5/ Al. Approx. 0.45/copper approx. 0.4	

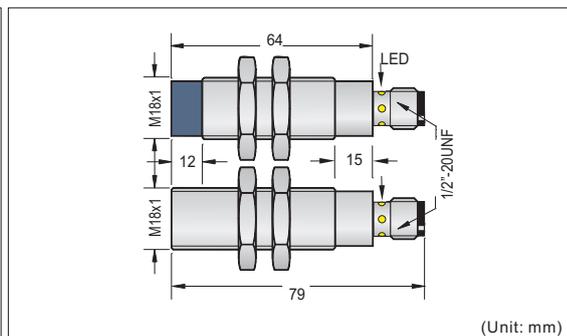
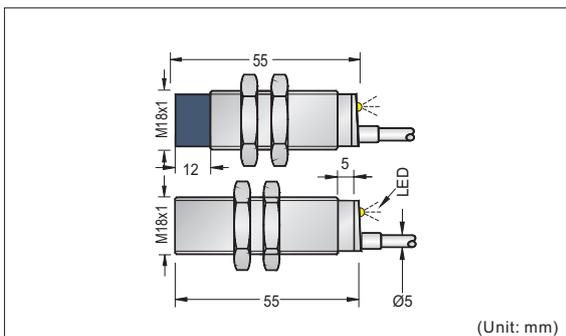
Mechanical Data		M18mm		M18mm	
Sensing surface material		PBT		PBT	
Protection		IP67		IP67	
Shock rating		Shock, half-sinus, 30gn, 11ms		Shock, half-sinus, 30gn, 11ms	
Vibration rating		55Hz, 1mm ampl., 3x30min.		55Hz, 1mm ampl., 3x30min.	
EMC		IEC 60947-5-2		IEC 60947-5-2	
Accessory		2 nuts		2 nuts	
Connection		2m PVC cable (Ø5 3/2x0.34mm <sup>2</sup> )		Micro-style 3 Pin M12 connector(1/2"-20UNF)	
Weight		Approx. 155g		Approx. 62g	



**Features**

- M18mm diameter
- Sn=5mm, shielded  
8mm, non-shielded
- 20-250VAC operating voltage
- Brass housing case  
PBT Resin housing case
- NO, NC Function
- Cable version  
3 Pin M12 connector version
- IP67 Protection

**CE**



Connection		2m Cable		3 Pin M12 Connector	
Mounting		Shielded	Non-shielded	Shielded	Non-shielded
Brass Case	AC-NO	L8AE18P05A	L8AF18P08A	L8AE18P05L	L8AF18P08L
	AC-NC	L8AE18Q05A	L8AF18Q08A	L8AE18Q05L	L8AF18Q08L
PBT Case	AC-NO	L8ME18P05A	L8MF18P08A	L8ME18P05L	L8MF18P08L
	AC-NC	L8ME18Q05A	L8MF18Q08A	L8ME18Q05L	L8MF18Q08L

General Data		M18mm		M18mm	
Installation type		Shielded	Non-shielded	Shielded	Non-shielded
Sensing distance(Sn: mm)		5mm	8mm	5mm	8mm
Standard sensing object		Steel 18x18x1mm	Steel 18x18x1mm	Steel 18x18x1mm	Steel 18x18x1mm
Effective sensing distance (Sr: mm)		90 ... 110% of Sn		90 ... 110% of Sn	
Assured operating distance(Sa: mm)		0 ... 80% of Sn		0 ... 80% of Sn	
Hysteresis		<15%		<15%	
Housing material		Nickel plated brass/PBT Resin		Nickel plated brass/PBT Resin	
Operating voltage		20 ... 250VAC		20 ... 250VAC	

Electrical Data			
Rated operating voltage		110VAC	110VAC
Repeated accuracy		±10%	±10%
Surge current		5A(20ms)	5A(20ms)
No load current		<1.8mA	<1.8mA
Max. Load current		400mA	400mA
Leakage current		<1.8mA	<1.8mA
Voltage drop		<8VAC at 400mA	<8VAC at 400mA
Switching frequency		25Hz	25Hz
Response time		10ms/10ms	10ms/10ms
Rated insulation voltage		250VAC	250VAC
Operating temperature		-25°C ... +70°C	-25°C ... +70°C
Storage temperature		-40°C ... +80°C	-40°C ... +80°C
Temperature drift		<10%	<10%
Power indicator		No	No
Function indicator		Yellow LED	Yellow LED
Reverse polarity protection		No	No
Short-circuit protection		No	No
Min. load current		5mA	5mA
Correction factors		Fe37 steel=1/stainless steel approx. 0.85/brass approx. 0.5/ Al. Approx. 0.45/copper approx. 0.4	Fe37 steel=1/stainless steel approx. 0.85/brass approx. 0.5/ Al. Approx. 0.45/copper approx. 0.4

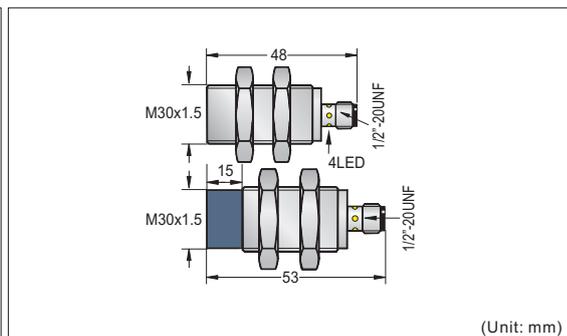
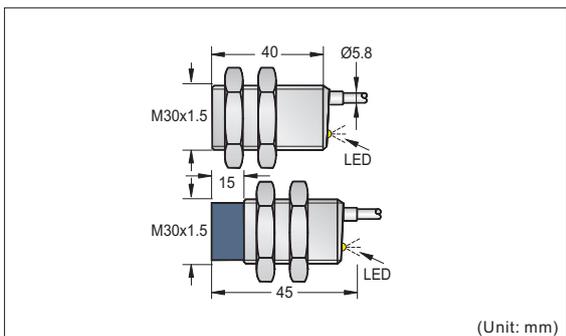
Mechanical Data			
Sensing surface material		PBT	PBT
Protection		IP67	IP67
Shock rating		Shock, half-sinus, 30gn, 11ms	Shock, half-sinus, 30gn, 11ms
Vibration rating		55Hz, 1mm ampl., 3x30min.	55Hz, 1mm ampl., 3x30min.
EMC		IEC 60947-5-2	IEC 60947-5-2
Accessory		2 nuts	2 nuts
Connection		2m PVC cable (Ø5 3/2x0.34mm <sup>2</sup> )	Micro-style 3 Pin M12 connector(1/2" -20UNF)
Weight		Approx. 162g	Approx. 70g



**Features**

- M30mm diameter
- Sn=10mm, shielded  
15mm, non-shielded
- 20-250VAC operating voltage
- Brass housing case  
PBT Resin housing case
- NO, NC Function
- Cable version  
3 Pin M12 connector version
- IP67 Protection

**CE**



Connection		2m Cable		3 Pin M12 Connector	
Mounting		Shielded	Non-shielded	Shielded	Non-shielded
Brass Case	AC-NO	L8AC30P10A	L8AD30P15A	L8AC30P10L	L8AD30P15L
	AC-NC	L8AC30Q10A	L8AD30Q15A	L8AC30Q10L	L8AD30Q15L
PBT Case	AC-NO	L8MC30P10A	L8MD30P15A	L8MC30P10L	L8MD30P15L
	AC-NC	L8MC30Q10A	L8MD30Q15A	L8MC30Q10L	L8MD30Q15L

General Data		M30mm		M30mm	
Installation type		Shielded	Non-shielded	Shielded	Non-shielded
Sensing distance (Sn: mm)		10mm	15mm	10mm	15mm
Standard sensing object		Steel 30x30x1mm	Steel 45x45x1mm	Steel 30x30x1mm	Steel 45x45x1mm
Effective sensing distance (Sr: mm)		90 ... 110% of Sn		90 ... 110% of Sn	
Assured operating distance (Sa: mm)		0 ... 80% of Sn		0 ... 80% of Sn	
Hysteresis		<15%		<15%	
Housing material		Nickel plated brass/PBT Resin		Nickel plated brass/PBT Resin	
Operating voltage		20 ... 250VAC		20 ... 250VAC	

Electrical Data		M30mm		M30mm	
Rated operating voltage		110VAC		110VAC	
Repeated accuracy		±10%		±10%	
Surge current		5A(20ms)		5A(20ms)	
No load current		<1.8mA		<1.8mA	
Max. Load current		400mA		400mA	
Leakage current		<1.8mA		<1.8mA	
Voltage drop		<8VAC at 400mA		<8VAC at 400mA	
Switching frequency		25Hz		25Hz	
Response time		10ms/10ms		10ms/10ms	
Rated insulation voltage		250VAC		250VAC	
Operating temperature		-25°C ... +70°C		-25°C ... +70°C	
Storage temperature		-40°C ... +80°C		-40°C ... +80°C	
Temperature drift		<10%		<10%	
Power indicator		No		No	
Function indicator		Yellow LED		Yellow LED	
Reverse polarity protection		No		No	
Short-circuit protection		No		No	
Min. load current		5mA		5mA	
Correction factors		Fe37 steel=1/stainless steel approx. 0.85/brass approx. 0.5/ Al. Approx. 0.45/copper approx. 0.4		Fe37 steel=1/stainless steel approx. 0.85/brass approx. 0.5/ Al. Approx. 0.45/copper approx. 0.4	

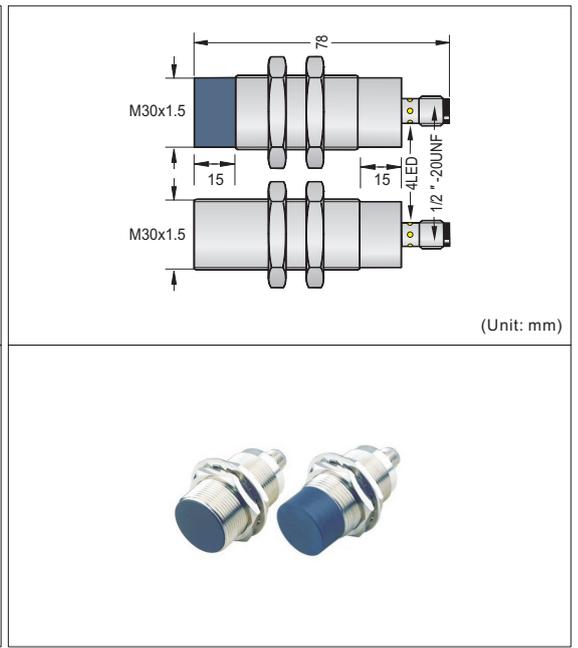
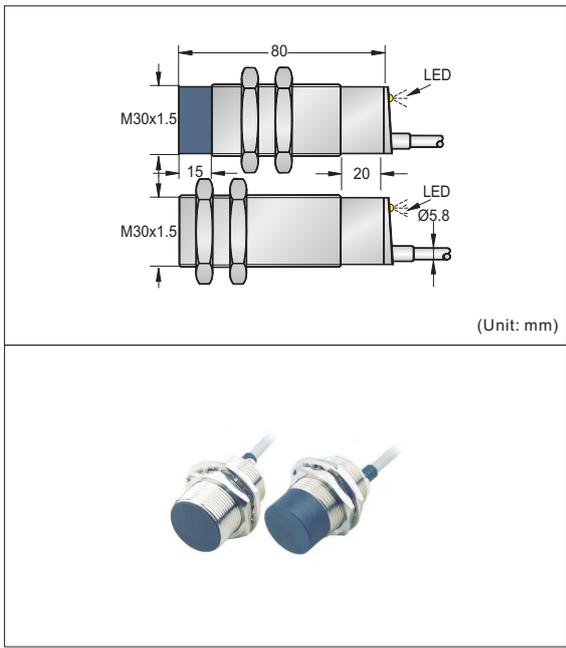
Mechanical Data		M30mm		M30mm	
Sensing surface material		PBT		PBT	
Protection		IP67		IP67	
Shock rating		Shock, half-sinus, 30gn, 11ms		Shock, half-sinus, 30gn, 11ms	
Vibration rating		55Hz, 1mm ampl., 3x30min.		55Hz, 1mm ampl., 3x30min.	
EMC		IEC 60947-5-2		IEC 60947-5-2	
Accessory		2 nuts		2 nuts	
Connection		2m PVC cable (Ø5.8 3/2x0.5mm <sup>2</sup> )		Micro-style 3 Pin M12 connector(1/2" -20UNF)	
Weight		Approx. 208g		Approx. 117g	



**Features**

- M30mm diameter
- Sn=10mm, shielded  
15mm, non-shielded
- 20-250VAC operating voltage
- Brass housing case  
PBT Resin housing case
- NO, NC Function
- Cable version  
3 Pin M12 connector version
- IP67 Protection

**CE**



Connection		2m Cable		3 Pin M12 Connector	
Mounting		Shielded	Non-shielded	Shielded	Non-shielded
Brass Case	AC-NO	L8AE30P10A	L8AF30P15A	L8AE30P10L	L8AF30P15L
	AC-NC	L8AE30Q10A	L8AF30Q15A	L8AE30Q10L	L8AF30Q15L
PBT Case	AC-NO	L8ME30P10A	L8MF30P15A	L8ME30P10L	L8MF30P15L
	AC-NC	L8ME30Q10A	L8MF30Q15A	L8ME30Q10L	L8MF30Q15L

General Data		M30mm		M30mm	
Installation type		Shielded	Non-shielded	Shielded	Non-shielded
Sensing distance (Sn: mm)		10mm	15mm	10mm	15mm
Standard sensing object		Steel 30x30x1mm	Steel 45x45x1mm	Steel 30x30x1mm	Steel 45x45x1mm
Effective sensing distance (Sr: mm)		90 ... 110% of Sn		90 ... 110% of Sn	
Assured operating distance (Sa: mm)		0 ... 80% of Sn		0 ... 80% of Sn	
Hysteresis		<15%		<15%	
Housing material		Nickel plated brass/PBT Resin		Nickel plated brass/PBT Resin	
Operating voltage		20 ... 250VAC		20 ... 250VAC	

Electrical Data			
Rated operating voltage		110VAC	110VAC
Repeated accuracy		±10%	±10%
Surge current		5A(20ms)	5A(20ms)
No load current		<1.8mA	<1.8mA
Max. Load current		400mA	400mA
Leakage current		<1.8mA	<1.8mA
Voltage drop		<8VAC at 400mA	<8VAC at 400mA
Switching frequency		25Hz	25Hz
Response time		10ms/10ms	10ms/10ms
Rated insulation voltage		250VAC	250VAC
Operating temperature		-25°C ... +70°C	-25°C ... +70°C
Storage temperature		-40°C ... +80°C	-40°C ... +80°C
Temperature drift		<10%	<10%
Power indicator		No	No
Function indicator		Yellow LED	Yellow LED
Reverse polarity protection		No	No
Short-circuit protection		No	No
Min. load current		5mA	5mA
Correction factors		Fe37 steel=1/stainless steel approx. 0.85/brass approx. 0.5/ Al. Approx. 0.45/copper approx. 0.4	Fe37 steel=1/stainless steel approx. 0.85/brass approx. 0.5/ Al. Approx. 0.45/copper approx. 0.4

Mechanical Data			
Sensing surface material		PBT	PBT
Protection		IP67	IP67
Shock rating		Shock, half-sinus, 30gn, 11ms	Shock, half-sinus, 30gn, 11ms
Vibration rating		55Hz, 1mm ampl., 3x30min.	55Hz, 1mm ampl., 3x30min.
EMC		IEC 60947-5-2	IEC 60947-5-2
Accessory		2 nuts	2 nuts
Connection		2m PVC cable (Ø5.8 3/2x0.5mm <sup>2</sup> )	Micro-style 3 Pin M12 connector(1/2" -20UNF)
Weight		Approx. 248g	Approx. 147g



<b>Features</b> <ul style="list-style-type: none"> <li>• Ø34mm diameter</li> <li>• Sn=15mm, shielded 20mm, non-shielded</li> <li>• 20-250VAC operating voltage</li> <li>• PBT Resin housing case</li> <li>• NO, NC Function</li> <li>• Cable version 3 Pin M12 connector</li> <li>• IP67 Protection</li> </ul>				
	(Unit: mm)		(Unit: mm)	
<b>Connection</b>	<b>2m Cable</b>		<b>3 Pin M12 Connector</b>	
<b>Mounting</b>	<b>Shielded</b>	<b>Non-shielded</b>	<b>Shielded</b>	<b>Non-shielded</b>
<b>Brass Case</b>	AC-NO			
	AC-NC			
<b>PBT Case</b>	AC-NO	L8NE34P15A	L8NF34P20A	L8NE34P15L
	AC-NC	L8NE34Q15A	L8NF34Q20A	L8NE34Q15L
				L8NF34Q20L
<b>General Data</b>				
Housing size	M30mm		M30mm	
Installation type	Shielded	Non-shielded	Shielded	Non-shielded
Sensing distance(Sn: mm)	15mm	20mm	15mm	20mm
Standard sensing object	Steel 45x45x1mm	Steel 60x60x1mm	Steel 45x45x1mm	Steel 60x60x1mm
Effective sensing distance (Sr: mm)	90 ... 110% of Sn		90 ... 110% of Sn	
Assured operating distance(Sa: mm)	0 ... 80% of Sn		0 ... 80% of Sn	
Hysteresis	<15%		<15%	
Housing material	PBT Resin		PBT Resin	
Operating voltage	20 ... 250VAC		20 ... 250VAC	
<b>Electrical Data</b>				
Rated operating voltage	110VAC		110VAC	
Repeated accuracy	±10%		±10%	
Surge current	5A(20ms)		5A(20ms)	
No load current	<1.8mA		<1.8mA	
Max. Load current	400mA		400mA	
Leakage current	<1.8mA		<1.8mA	
Voltage drop	<8VAC at 400mA		<8VAC at 400mA	
Switching frequency	25Hz		25Hz	
Response time	10ms/10ms		10ms/10ms	
Rated insulation voltage	250VAC		250VAC	
Operating temperature	-25°C ... +70°C		-25°C ... +70°C	
Storage temperature	-40°C ... +80°C		-40°C ... +80°C	
Temperature drift	<10%		<10%	
Power indicator	No		No	
Function indicator	Yellow LED		Yellow LED	
Reverse polarity protection	No		No	
Short-circuit protection	No		No	
Min. load current	5mA		5mA	
Correction factors	Fe37 steel=1/stainless steel approx. 0.85/brass approx. 0.5/ Al. Approx. 0.45/copper approx. 0.4		Fe37 steel=1/stainless steel approx. 0.85/brass approx. 0.5/ Al. Approx. 0.45/copper approx. 0.4	
<b>Mechanical Data</b>				
Sensing surface material	PBT		PBT	
Protection	IP67		IP67	
Shock rating	Shock, half-sinus, 30gn, 11ms		Shock, half-sinus, 30gn, 11ms	
Vibration rating	55Hz, 1mm ampl., 3x30min.		55Hz, 1mm ampl., 3x30min.	
EMC	IEC 60947-5-2		IEC 60947-5-2	
Accessory	Bracket and nuts		Bracket and nuts	
Connection	2m PVC cable (Ø5.8 2x0.5mm <sup>2</sup> )		Micro-style 3 Pin M12 connector(1/2" -20UNF)	
Weight	Approx. 250g		Approx. 162g	



**Features**

- Q40x40mm diameter
- Sn=15mm, shielded  
20mm, non-shielded
- 20-250VAC operating voltage
- PBT Resin housing case
- NO, NC, NO/NC Function
- PG connector version  
3 Pin M12 connector version
- IP67 Protection

**CE**

(Unit: mm)

(Unit: mm)

<b>Connection</b>	
<b>Mounting</b>	
<b>PBT Case</b>	AC-NO
	AC-NC
	AC-NO/NC

Cable Terminal with PG Connector	
Shielded	Non-shielded
L8EE40P15T	L8EF40P20T
L8EE40Q15T	L8EF40Q20T
L8EE40R15T	L8EF40R20T

3 Pin M12 Connector	
Shielded	Non-shielded
L8EE40P15L	L8EF40P20L
L8EE40Q15L	L8EF40Q20L

General Data			
Housing size	Q40x40mm		Q40x40mm
Installation type	Shielded	Non-shielded	Shielded Non-shielded
Sensing distance(Sn: mm)	15mm	20mm	15mm 20mm
Standard sensing object	Steel 45x45x1mm	Steel 60x60x1mm	Steel 45x45x1mm Steel 60x60x1mm
Effective sensing distance (Sr: mm)	90 ... 110% of Sn		90 ... 110% of Sn
Assured operating distance(Sa: mm)	0 ... 80% of Sn		0 ... 80% of Sn
Hysteresis	<15%		<15%
Housing material	PBT Resin		PBT Resin
Operating voltage	20 ... 250VAC		20 ... 250VAC

Electrical Data			
Rated operating voltage	110VAC		110VAC
Repeated accuracy	±10%		±10%
Surge current	5A(20ms)		5A(20ms)
No load current	<2.5mA		<2.5mA
Max. Load current	400mA		400mA
Leakage current	<2.5mA		<2.5mA
Voltage drop	<8VAC at 400mA		<8VAC at 400mA
Switching frequency	25Hz		25Hz
Response time	10ms/10ms		10ms/10ms
Rated insulation voltage	250VAC		250VAC
Operating temperature	-25°C ... +70°C		-25°C ... +70°C
Storage temperature	-40°C ... +80°C		-40°C ... +80°C
Temperature drift	<10%		<10%
Power indicator	No		No
Function indicator	Yellow LED		Yellow LED
Reverse polarity protection	No		No
Short-circuit protection	No		No
Min. load current	5mA		5mA
Correction factors	Fe37 steel=1/stainless steel approx. 0.85/brass approx. 0.5/ Al. Approx. 0.45/copper approx. 0.4		Fe37 steel=1/stainless steel approx. 0.85/brass approx. 0.5/ Al. Approx. 0.45/copper approx. 0.4

Mechanical Data			
Sensing surface material	PBT		PBT
Protection	IP67		IP67
Shock rating	Shock, half-sinus, 30gn, 11ms		Shock, half-sinus, 30gn, 11ms
Vibration rating	55Hz, 1mm ampl., 3x30min.		55Hz, 1mm ampl., 3x30min.
EMC	IEC 60947-5-2		IEC 60947-5-2
Accessory	/		/
Connection	Cable terminal with PG connector		Micro-style 3 Pin M12 connector(1/2"-20UNF)
Weight	Approx. 250g		Approx. 260g



**Features**

- Q40x40mm diameter
- Sn=15mm, shielded  
20mm, non-shielded
- 20-250VAC operating voltage
- PBT Resin housing case
- NO, NC Function
- 3 Pin M12 connector version
- IP67 Protection

(Unit: mm)

Connection		3 Pin M12 Connector	
Mounting		Shielded	Non-shielded
PBT Case	AC-NO	L8EC40P15L	L8ED40P20L
	AC-NC	L8EC40Q15L	L8ED40Q20L
	AC-NO/NC		

General Data		
Housing size	Q40x40mm	
Installation type	Shielded	Non-shielded
Sensing distance(Sn: mm)	15mm	20mm
Standard sensing object	Steel 45x45x1mm	Steel 60x60x1mm
Effective sensing distance (Sr: mm)	90 ... 110% of Sn	
Assured operating distance(Sa: mm)	0 ... 80% of Sn	
Hysteresis	<15%	
Housing material	PBT Resin	
Operating voltage	20 ... 250VAC	

Electrical Data	
Rated operating voltage	110VAC
Repeated accuracy	±10%
Surge current	5A(20ms)
No load current	<2.5mA
Max. Load current	400mA
Leakage current	<2.5mA
Voltage drop	<8VAC at 400mA
Switching frequency	25Hz
Response time	10ms/10ms
Rated insulation voltage	250VAC
Operating temperature	-25°C ... +70°C
Storage temperature	-40°C ... +80°C
Temperature drift	<10%
Power indicator	No
Function indicator	Yellow LED
Reverse polarity protection	No
Short-circuit protection	No
Min. load current	5mA
Correction factors	Fe37 steel=1/stainless steel approx. 0.85/brass approx. 0.5/ Al. Approx. 0.45/copper approx. 0.4

Mechanical Data	
Sensing surface material	PBT
Protection	IP67
Shock rating	Shock, half-sinus, 30gn, 11ms
Vibration rating	55Hz, 1mm ampl., 3x30min.
EMC	IEC 60947-5-2
Accessory	/
Connection	Micro-style 3 Pin M12 connector(1/2" -20UNF)
Weight	Approx. 170g