

<b>Features</b> <ul style="list-style-type: none"> <li>• Ø4mm diameter</li> <li>• Sn=0.6mm, 0.8mm, shielded</li> <li>• 6-12VDC operating voltage</li> <li>• Stainless steel housing case</li> <li>• Namur output</li> <li>• Cable version</li> <li>• IP67 Protection</li> </ul>					
		(Unit: mm)		(Unit: mm)	
<b>Connection</b>		<b>2m Cable</b>		<b>2m Cable</b>	
<b>Mounting</b>		<b>Shielded</b>		<b>Shielded</b>	
<b>Steel Case</b>	Namur	N7DC04N0.6A	N7DC04N0.8A	N7DE04N0.6A	N7DE04N0.8A
	Namur with LED				
<b>PBT Case</b>	Namur				
	Namur with LED				
<b>General Data</b>					
Housing size	Ø4mm		Ø4mm		
Installation type	Shielded	Shielded	Shielded	Shielded	
Sensing distance(Sn: mm)	0.6mm	0.8mm	0.6mm	0.8mm	
Standard sensing object	Steel 4x4x1mm	Steel 4x4x1mm	Steel 4x4x1mm	Steel 4x4x1mm	
Effective sensing distance (Sr: mm)	90 ... 110% of Sn		90 ... 110% of Sn		
Assured operating distance(Sa: mm)	0 ... 80% of Sn		0 ... 80% of Sn		
Hysteresis	<15%		<15%		
Housing material	Stainless steel		Stainless steel		
Operating voltage	6 ... 12VDC		6 ... 12VDC		
<b>Electrical Data</b>					
Rated operating voltage	8VDC		8VDC		
Repeated accuracy	±10%		±10%		
Ripple	/		/		
No load current	>2.2mA(Off), <1.1mA(On)		>2.2mA(Off), <1.1mA(On)		
Max. Load current	/		/		
Leakage current	/		/		
Voltage drop	/	/	/	/	
Switching frequency	2000Hz	2000Hz	2000Hz	2000Hz	
Response time	0.05ms/0.05ms	0.05ms/0.05ms	0.05ms/0.05ms	0.05ms/0.05ms	
Rated insulation voltage	75VDC		75VDC		
Operating temperature	-25°C ... +70°C		-25°C ... +70°C		
Storage temperature	-40°C ... +80°C		-40°C ... +80°C		
Temperature drift	<2%		<2%		
Power indicator	No		No		
Function indicator	No		No		
Reverse polarity protection	/		/		
Short-circuit protection	/		/		
Overload trip point	/		/		
Correction factors	Fe37 steel=1/stainless steel approx. 0.85/brass approx. 0.5/ Al. Approx. 0.45/ copper approx. 0.4		Fe37 steel=1/stainless steel approx. 0.85/brass approx. 0.5/ Al. Approx. 0.45/ copper approx. 0.4		
<b>Mechanical Data</b>					
Sensing surface material	POM		POM		
Protection	IP67		IP67		
Shock rating	Shock, half-sinus, 30gn, 11ms		Shock, half-sinus, 30gn, 11ms		
Vibration rating	55Hz, 1mm ampl., 3x30min.		55Hz, 1mm ampl., 3x30min.		
EMC	IEC 60947-5-2 EN 55501: Class B		IEC 60947-5-2 EN 55501: Class B		
Accessory	/		/		
Connection	PVC cable (Ø2.7 2x0.15mm <sup>2</sup> )		PVC cable (Ø2.7 2x0.15mm <sup>2</sup> )		
Weight	Approx. 25g		Approx. 25g		



<b>Features</b> <ul style="list-style-type: none"> <li>▪ M5mm diameter</li> <li>▪ Sn=0.6mm, 0.8mm, shielded</li> <li>▪ 6-12VDC operating voltage</li> <li>▪ Stainless steel housing case</li> <li>▪ Namur output</li> <li>▪ Cable version</li> <li>▪ IP67 Protection</li> </ul>		<p>(Unit: mm)</p>		<p>(Unit: mm)</p>			
		<b>2m Cable</b>		<b>2m Cable</b>			
		<b>Shielded</b>		<b>Shielded</b>			
		N7CC05N0.6A		N7CC05N0.8A		N7CE05N0.6A	
		N7CC05N0.8A		N7CE05N0.8A			
<b>Steel Case</b>		Namur					
		Namur with LED					
<b>PBT Case</b>		Namur					
		Namur with LED					
<b>General Data</b>							
Housing size		M5mm		M5mm			
Installation type		Shielded		Shielded			
Sensing distance(Sn: mm)		0.6mm		0.8mm			
Standard sensing object		Steel 5x5x1mm		Steel 5x5x1mm			
Effective sensing distance (Sr: mm)		90 ... 110% of Sn		90 ... 110% of Sn			
Assured operating distance(Sa: mm)		0 ... 80% of Sn		0 ... 80% of Sn			
Hysteresis		<15%		<15%			
Housing material		Stainless steel		Stainless steel			
Operating voltage		6 ... 12VDC		6 ... 12VDC			
<b>Electrical Data</b>							
Rated operating voltage		8VDC		8VDC			
Repeated accuracy		±10%		±10%			
Ripple		/		/			
No load current		>2.2mA(Off), <1.1mA(On)		>2.2mA(Off), <1.1mA(On)			
Max. Load current		/		/			
Leakage current		/		/			
Voltage drop		/		/			
Switching frequency		2000Hz		2000Hz			
Response time		0.05ms/0.05ms		0.05ms/0.05ms			
Rated insulation voltage		75VDC		75VDC			
Operating temperature		-25°C ... +70°C		-25°C ... +70°C			
Storage temperature		-40°C ... +80°C		-40°C ... +80°C			
Temperature drift		<2%		<2%			
Power indicator		No		No			
Function indicator		No		No			
Reverse polarity protection		/		/			
Short-circuit protection		/		/			
Overload trip point		/		/			
Correction factors		Fe37 steel=1/stainless steel approx. 0.85/brass approx. 0.5/ Al. Approx. 0.45/ copper approx. 0.4		Fe37 steel=1/stainless steel approx. 0.85/brass approx. 0.5/ Al. Approx. 0.45/ copper approx. 0.4			
<b>Mechanical Data</b>							
Sensing surface material		POM		POM			
Protection		IP67		IP67			
Shock rating		Shock, half-sinus, 30gn, 11ms		Shock, half-sinus, 30gn, 11ms			
Vibration rating		55Hz, 1mm ampl., 3x30min.		55Hz, 1mm ampl., 3x30min.			
EMC		IEC 60947-5-2 EN 55501: Class B		IEC 60947-5-2 EN 55501: Class B			
Accessory		/		/			
Connection		PVC cable (Ø2.7 2x0.15mm <sup>2</sup> )		PVC cable (Ø2.7 2x0.15mm <sup>2</sup> )			
Weight		Approx. 25g		Approx. 25g			

**Features**

- Ø6.5mm diameter
- Sn=0.8mm, 1mm, shielded  
1mm, 2mm, non-shielded
- 6-12VDC operating voltage
- Stainless steel housing case
- Namur output
- Cable version
- IP67 Protection

**CE**

(Unit: mm)

(Unit: mm)

<b>Connection</b>		2m Cable		2m Cable	
<b>Mounting</b>		Shielded	Shielded	Shielded	Shielded
<b>Steel Case</b>	Namur	N7DE6.5N0.8A	N7DE6.5N01A	N7DF6.5N01A	N7DF6.5N02A
	Namur with LED				
<b>PBT Case</b>	Namur				
	Namur with LED				

<b>General Data</b>						
Housing size	Ø6.5mm				Ø6.5mm	
Installation type	Shielded	Shielded	Non-shielded			
Sensing distance(Sn: mm)	0.8mm	1mm	1mm	2mm		
Standard sensing object	Steel 6.5x6.5x1mm		Steel 6.5x6.5x1mm			
Effective sensing distance (Sr: mm)	90 ... 110% of Sn				90 ... 110% of Sn	
Assured operating distance(Sa: mm)	0 ... 80% of Sn				0 ... 80% of Sn	
Hysteresis	<15%				<15%	
Housing material	Stainless steel				Stainless steel	
Operating voltage	6 ... 12VDC				6 ... 12VDC	

<b>Electrical Data</b>						
Rated operating voltage	8VDC				8VDC	
Repeated accuracy	±10%				±10%	
Ripple	/				/	
No load current	>2.2mA(Off), <1.1mA(On)				>2.2mA(Off), <1.1mA(On)	
Max. Load current	/				/	
Leakage current	/				/	
Voltage drop	/				/	
Switching frequency	2000Hz		2000Hz		2000Hz	
Response time	0.05ms/0.05ms		0.05ms/0.05ms		0.05ms/0.05ms	
Rated insulation voltage	75VDC				75VDC	
Operating temperature	-25°C ... +70°C				-25°C ... +70°C	
Storage temperature	-40°C ... +80°C				-40°C ... +80°C	
Temperature drift	<2%				<2%	
Power indicator	No				No	
Function indicator	No				No	
Reverse polarity protection	/				/	
Short-circuit protection	/				/	
Overload trip point	/				/	
Correction factors	Fe37 steel=1/stainless steel approx. 0.85/brass approx. 0.5/ Al. Approx. 0.45/ copper approx. 0.4				Fe37 steel=1/stainless steel approx. 0.85/brass approx. 0.5/ Al. Approx. 0.45/ copper approx. 0.4	

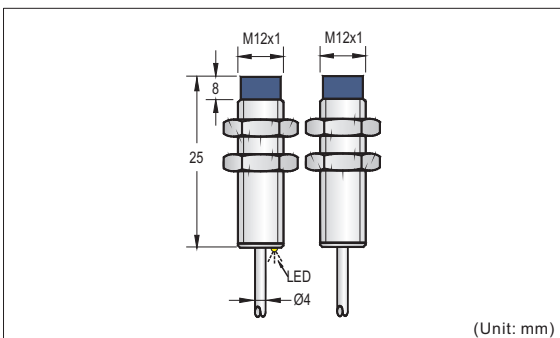
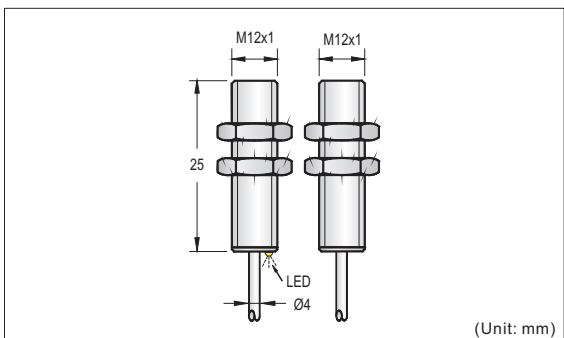
<b>Mechanical Data</b>						
Sensing surface material	PBT				PBT	
Protection	IP67				IP67	
Shock rating	Shock, half-sinus, 30gn, 11ms				Shock, half-sinus, 30gn, 11ms	
Vibration rating	55Hz, 1mm ampl., 3x30min.				55Hz, 1mm ampl., 3x30min.	
EMC	IEC 60947-5-2 EN 55501: Class B				IEC 60947-5-2 EN 55501: Class B	
Accessory	/				/	
Connection	PVC cable (Ø3 2x0.15mm <sup>2</sup> )				PVC cable (Ø3 2x0.15mm <sup>2</sup> )	
Weight	Approx. 25g				Approx. 25g	

<b>Features</b> <ul style="list-style-type: none"> <li>▪ M8mm diameter</li> <li>▪ Sn=1mm, shielded 2mm, non-shielded</li> <li>▪ 6-12VDC operating voltage</li> <li>▪ Stainless steel housing case</li> <li>▪ Namur output</li> <li>▪ Cable version</li> <li>▪ IP67 Protection</li> </ul>		<p>(Unit: mm)</p>		<p>(Unit: mm)</p>			
		<b>Connection</b>		<b>2m Cable</b>			
		<b>Mounting</b>		<b>Shielded</b>		<b>Non-shielded</b>	
		<b>Steel Case</b>		N7CE08N01A		N7CE08N02A	
		<b>PBT Case</b>					
		Namur					
		Namur with LED					
<b>General Data</b>							
Housing size		M8mm		M8mm			
Installation type		Shielded		Non-shielded			
Sensing distance(Sn: mm)		1mm		2mm			
Standard sensing object		Steel 8x8x1mm		Steel 8x8x1mm			
Effective sensing distance (Sr: mm)		90 ... 110% of Sn		90 ... 110% of Sn			
Assured operating distance(Sa: mm)		0 ... 80% of Sn		0 ... 80% of Sn			
Hysteresis		<15%		<15%			
Housing material		Stainless steel		Stainless steel			
Operating voltage		6 ... 12VDC		6 ... 12VDC			
<b>Electrical Data</b>							
Rated operating voltage		8VDC		8VDC			
Repeated accuracy		±10%		±10%			
Ripple		/		/			
No load current		>2.2mA(Off), <1.1mA(On)		>2.2mA(Off), <1.1mA(On)			
Max. Load current		/		/			
Leakage current		/		/			
Voltage drop		/		/			
Switching frequency		2000Hz		2000Hz			
Response time		0.05ms/0.05ms		0.05ms/0.05ms			
Rated insulation voltage		75VDC		75VDC			
Operating temperature		-25°C ... +70°C		-25°C ... +70°C			
Storage temperature		-40°C ... +80°C		-40°C ... +80°C			
Temperature drift		<2%		<2%			
Power indicator		No		No			
Function indicator		No		No			
Reverse polarity protection		/		/			
Short-circuit protection		/		/			
Overload trip point		/		/			
Correction factors		Fe37 steel=1/stainless steel approx. 0.85/brass approx. 0.5/ Al. Approx. 0.45/ copper approx. 0.4		Fe37 steel=1/stainless steel approx. 0.85/brass approx. 0.5/ Al. Approx. 0.45/ copper approx. 0.4			
<b>Mechanical Data</b>							
Sensing surface material		PBT		PBT			
Protection		IP67		IP67			
Shock rating		Shock, half-sinus, 30gn, 11ms		Shock, half-sinus, 30gn, 11ms			
Vibration rating		55Hz, 1mm ampl., 3x30min.		55Hz, 1mm ampl., 3x30min.			
EMC		IEC 60947-5-2 EN 55501: Class B		IEC 60947-5-2 EN 55501: Class B			
Accessory		/		/			
Connection		PVC cable (Ø3 2x0.15mm <sup>2</sup> )		PVC cable (Ø3 2x0.15mm <sup>2</sup> )			
Weight		Approx. 34g		Approx. 34g			

**Features**

- M12mm diameter
- Sn=2mm, shielded  
4mm, non-shielded
- 6-12VDC operating voltage
- Stainless steel housing case  
Nickel plated brass housing case
- Namur output  
Namur output with LED
- Cable version
- IP67 Protection

**CE**



Connection		2m Cable		2m Cable	
<b>Mounting</b>		<b>Shielded</b>		<b>Non-shielded</b>	
<b>Steel Case</b>	Namur	N7CE12N02A		N7CF12N04A	
	Namur with LED	N7CE12G02A		N7CF12G04A	
<b>Brass Case</b>	Namur	N7AE12N02A		N7AF12N04A	
	Namur with LED	N7AE12G02A		N7AF12G04A	

General Data		
Housing size	M12mm	
Installation type	Shielded	Non-shielded
Sensing distance(Sn: mm)	2mm	4mm
Standard sensing object	Steel 12x12x1mm	Steel 12x12x1mm
Effective sensing distance (Sr: mm)	90 ... 110% of Sn	
Assured operating distance(Sa: mm)	0 ... 80% of Sn	
Hysteresis	<15%	
Housing material	Stainless steel, Nickel plated brass	
Operating voltage	6 ... 12VDC	

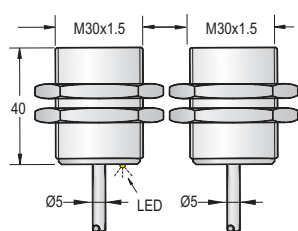
Electrical Data		
Rated operating voltage	8VDC	
Repeated accuracy	±10%	
Ripple	/	
No load current	>2.2mA(Off), <1.1mA(On)	
Max. Load current	/	
Leakage current	/	
Voltage drop	/	
Switching frequency	1000Hz	500Hz
Response time	0.1ms/0.1ms	0.2ms/0.2ms
Rated insulation voltage	75VDC	
Operating temperature	-25°C ... +70°C	
Storage temperature	-40°C ... +80°C	
Temperature drift	<2%	
Power indicator	No	
Function indicator	No/Yes	
Reverse polarity protection	/	
Short-circuit protection	/	
Overload trip point	/	
Correction factors	Fe37 steel=1/stainless steel approx. 0.85/brass approx. 0.5/ Al. Approx. 0.45/ copper approx. 0.4	

Mechanical Data		
Sensing surface material	PBT	
Protection	IP67	
Shock rating	Shock, half-sinus, 30gn, 11ms	
Vibration rating	55Hz, 1mm ampl., 3x30min.	
EMC	IEC 60947-5-2 EN 55501: Class B	
Accessory	/	
Connection	PVC cable (Ø4 2x0.34mm <sup>2</sup> )	
Weight	Approx. 34g	

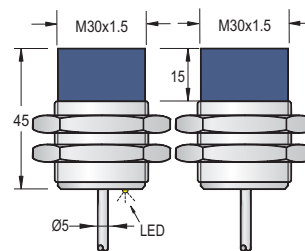
<b>Features</b> <ul style="list-style-type: none"> <li>▪ M18mm diameter</li> <li>▪ Sn=5mm, shielded 8mm, non-shielded</li> <li>▪ 6-12VDC operating voltage</li> <li>▪ Stainless steel housing case Nickel plated brass housing case</li> <li>▪ Namur output Namur output with LED</li> <li>▪ Cable version</li> <li>▪ IP67 Protection</li> </ul>						
		(Unit: mm)		(Unit: mm)		
<b>Connection</b>		<b>2m Cable</b>		<b>2m Cable</b>		
<b>Mounting</b>		<b>Shielded</b>		<b>Non-shielded</b>		
<b>Steel Case</b>	Namur	N7CE18N05A		N7CF18N08A		
	Namur with LED	N7CE18G05A		N7CF18G08A		
<b>Brass Case</b>	Namur	N7AE18N05A		N7AF18N08A		
	Namur with LED	N7AE18G05A		N7AF18G08A		
<b>General Data</b>						
Housing size	M18mm			M18mm		
Installation type	Shielded			Non-shielded		
Sensing distance(Sn: mm)	5mm			8mm		
Standard sensing object	Steel 18x18x1mm			Steel 24x24x1mm		
Effective sensing distance (Sr: mm)	90 ... 110% of Sn			90 ... 110% of Sn		
Assured operating distance(Sa: mm)	0 ... 80% of Sn			0 ... 80% of Sn		
Hysteresis	<15%			<15%		
Housing material	Stainless steel/Nickel plated brass			Stainless steel/Nickel plated brass		
Operating voltage	6 ... 12VDC			6 ... 12VDC		
<b>Electrical Data</b>						
Rated operating voltage	8VDC			8VDC		
Repeated accuracy	±10%			±10%		
Ripple	/			/		
No load current	>2.2mA(Off), <1.1mA(On)			>2.2mA(Off), <1.1mA(On)		
Max. Load current	/			/		
Leakage current	/			/		
Voltage drop	/			/		
Switching frequency	500Hz			300Hz		
Response time	0.2ms/0.2ms			0.5ms/0.5ms		
Rated insulation voltage	75VDC			75VDC		
Operating temperature	-25°C ... +70°C			-25°C ... +70°C		
Storage temperature	-40°C ... +80°C			-40°C ... +80°C		
Temperature drift	<2%			<2%		
Power indicator	No			No		
Function indicator	No/Yes			No/Yes		
Reverse polarity protection	/			/		
Short-circuit protection	/			/		
Overload trip point	/			/		
Correction factors	Fe37 steel=1/stainless steel approx. 0.85/brass approx. 0.5/ Al. Approx. 0.45/ copper approx. 0.4			Fe37 steel=1/stainless steel approx. 0.85/brass approx. 0.5/ Al. Approx. 0.45/ copper approx. 0.4		
<b>Mechanical Data</b>						
Sensing surface material	PBT			PBT		
Protection	IP67			IP67		
Shock rating	Shock, half-sinus, 30gn, 11ms			Shock, half-sinus, 30gn, 11ms		
Vibration rating	55Hz, 1mm ampl., 3x30min.			55Hz, 1mm ampl., 3x30min.		
EMC	IEC 60947-5-2 EN 55501: Class B			IEC 60947-5-2 EN 55501: Class B		
Accessory	/			/		
Connection	PVC cable (Ø5 2x0.34mm <sup>2</sup> )			PVC cable (Ø5 2x0.34mm <sup>2</sup> )		
Weight	Approx. 126g			Approx. 126g		

**Features**

- M30mm diameter
- Sn=10mm, shielded  
15mm, non-shielded
- 6-12VDC operating voltage
- Stainless steel housing case  
Nickel plated brass housing case
- Namur output  
Namur output with LED
- Cable version
- IP67 Protection



(Unit: mm)



(Unit: mm)



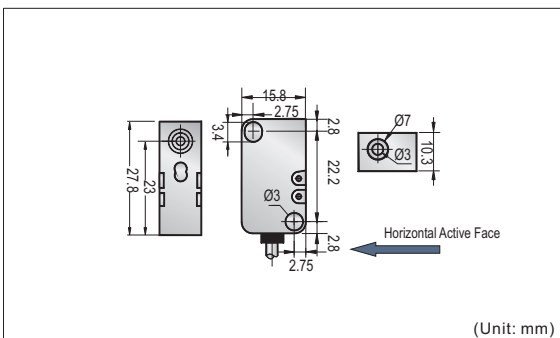
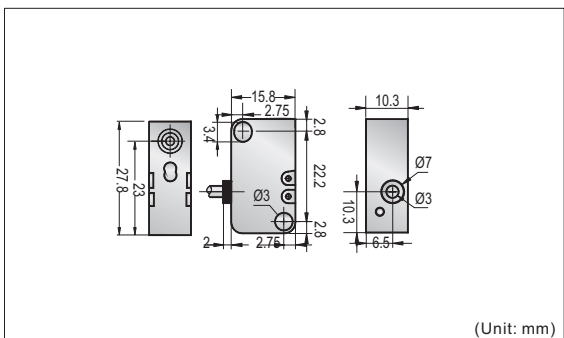
Connection		2m Cable		2m Cable	
Mounting		Shielded		Non-shielded	
Steel Case	Namur	N7CE30N10A		N7CF30N15A	
	Namur with LED	N7CE30G10A		N7CF30G15A	
Brass Case	Namur	N7AE30N10A		N7AF30N15A	
	Namur with LED	N7AE30G10A		N7AF30G15A	
<b>General Data</b>					
Housing size	M30mm		M30mm		
Installation type	Shielded		Non-shielded		
Sensing distance(Sn: mm)	10mm		15mm		
Standard sensing object	Steel 30x30x1mm		Steel 45x45x1mm		
Effective sensing distance (Sr: mm)	90 ... 110% of Sn		90 ... 110% of Sn		
Assured operating distance(Sa: mm)	0 ... 80% of Sn		0 ... 80% of Sn		
Hysteresis	<15%		<15%		
Housing material	Stainless steel/Nickel plated brass		Stainless steel/Nickel plated brass		
Operating voltage	6 ... 12VDC		6 ... 12VDC		
<b>Electrical Data</b>					
Rated operating voltage	8VDC		8VDC		
Repeated accuracy	±10%		±10%		
Ripple	/		/		
No load current	>2.2mA(Off), <1.1mA(On)		>2.2mA(Off), <1.1mA(On)		
Max. Load current	/		/		
Leakage current	/		/		
Voltage drop	/		/		
Switching frequency	300Hz		100Hz		
Response time	0.5ms/0.5ms		1ms/1ms		
Rated insulation voltage	75VDC		75VDC		
Operating temperature	-25°C ... +70°C		-25°C ... +70°C		
Storage temperature	-40°C ... +80°C		-40°C ... +80°C		
Temperature drift	<2%		<2%		
Power indicator	No		No		
Function indicator	No/Yes		No/Yes		
Reverse polarity protection	/		/		
Short-circuit protection	/		/		
Overload trip point	/		/		
Correction factors	Fe37 steel=1/stainless steel approx. 0.85/brass approx. 0.5/ Al. Approx. 0.45/ copper approx. 0.4		Fe37 steel=1/stainless steel approx. 0.85/brass approx. 0.5/ Al. Approx. 0.45/ copper approx. 0.4		
<b>Mechanical Data</b>					
Sensing surface material	PBT		PBT		
Protection	IP67		IP67		
Shock rating	Shock, half-sinus, 30gn, 11ms		Shock, half-sinus, 30gn, 11ms		
Vibration rating	55Hz, 1mm ampl., 3x30min.		55Hz, 1mm ampl., 3x30min.		
EMC	IEC 60947-5-2 EN 55501: Class B		IEC 60947-5-2 EN 55501: Class B		
Accessory	/		/		
Connection	PVC cable (Ø5.8 2x0.5mm <sup>2</sup> )		PVC cable (Ø5.8 2x0.5mm <sup>2</sup> )		
Weight	Approx. 185g		Approx. 185g		



**Features**

- Q16x28x10mm diameter
- Sn=1mm, shielded  
2mm, non-shielded
- 6-12VDC operating voltage
- PBT Resin housing case
- Namur output  
Namur output with LED
- Cable version
- IP67 Protection

**CE**



<b>Connection</b>		2m Cable		2m Cable	
<b>Mounting</b>		Shielded	Non-shielded	Shielded	Non-shielded
<b>Steel Case</b>	Namur				
	Namur with LED				
<b>PBT Case</b>	Namur	N7ET16N01A	N7EY16N02A	N7ES16N01A	N7EX16N02A
	Namur with LED				

<b>General Data</b>					
Housing size	Q16x28x10mm			Q16x28x10mm	
Installation type	Shielded	Non-shielded		Shielded	Non-shielded
Sensing distance(Sn: mm)	1mm	2mm		1mm	2mm
Standard sensing object	Steel 16x16x1mm	Steel 16x16x1mm		Steel 16x16x1mm	Steel 16x16x1mm
Effective sensing distance (Sr: mm)	90 ... 110% of Sn			90 ... 110% of Sn	
Assured operating distance(Sa: mm)	0 ... 80% of Sn			0 ... 80% of Sn	
Hysteresis	<15%			<15%	
Housing material	PBT Resin			PBT Resin	
Operating voltage	6 ... 12VDC			6 ... 12VDC	

<b>Electrical Data</b>					
Rated operating voltage	8VDC			8VDC	
Repeated accuracy	±10%			±10%	
Ripple	/			/	
No load current	>2.2mA(Off), <1.1mA(On)			>2.2mA(Off), <1.1mA(On)	
Max. Load current	/			/	
Leakage current	/			/	
Voltage drop	/	/		/	/
Switching frequency	2000Hz	1000Hz		2000Hz	1000Hz
Response time	0.05ms/0.05ms	0.1ms/0.1ms		0.05ms/0.05ms	0.1ms/0.1ms
Rated insulation voltage	75VDC			75VDC	
Operating temperature	-25°C ... +70°C			-25°C ... +70°C	
Storage temperature	-40°C ... +80°C			-40°C ... +80°C	
Temperature drift	<2%			<2%	
Power indicator	No			No	
Function indicator	No			No	
Reverse polarity protection	/			/	
Short-circuit protection	/			/	
Overload trip point	/			/	
Correction factors	Fe37 steel=1/stainless steel approx. 0.85/brass approx. 0.5/ Al. Approx. 0.45/ copper approx. 0.4			Fe37 steel=1/stainless steel approx. 0.85/brass approx. 0.5/ Al. Approx. 0.45/ copper approx. 0.4	

<b>Mechanical Data</b>					
Sensing surface material	PBT			PBT	
Protection	IP67			IP67	
Shock rating	Shock, half-sinus, 30gn, 11ms			Shock, half-sinus, 30gn, 11ms	
Vibration rating	55Hz, 1mm ampl., 3x30min.			55Hz, 1mm ampl., 3x30min.	
EMC	IEC 60947-5-2 EN 55501: Class B			IEC 60947-5-2 EN 55501: Class B	
Accessory	/			/	
Connection	PVC cable (Ø3 2x0.15mm <sup>2</sup> )			PVC cable (Ø3 2x0.15mm <sup>2</sup> )	
Weight	Approx. 55g			Approx. 55g	