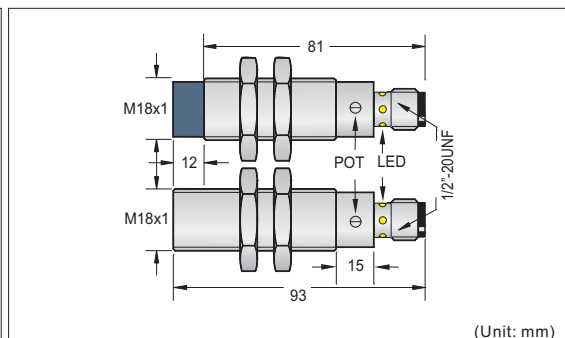
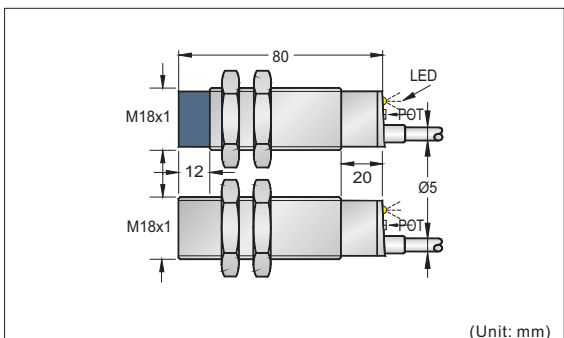




Features

- M18mm diameter
- 20-250VAC operating voltage
- Sn=2 ... 8mm, shielded
2 ... 15mm, non-shielded
- Brass housing case
PBT housing case
- AC Output
- NO,NC Function
- Cable version
3 Pin M12 Connector version
- IP67 Protection

CE



Connection		2m Cable		3 Pin M12 Connector	
Mounting		Shielded	Non-shielded	Shielded	Non-shielded
Brass Case	AC-NO	C8AE18P08A	C8AF18P15A	C8AE18P08L	C8AF18P15L
	AC-NC	C8AE18Q08A	C8AF18Q15A	C8AE18Q08L	C8AF18Q15L
PBT Case	AC-NO	C8ME18P08A	C8MF18P15A	C8ME18P08L	C8MF18P15L
	AC-NC	C8ME18Q08A	C8MF18Q15A	C8ME18Q08L	C8MF18Q15L

General Data		M18mm		M18mm	
Installation type		Shielded	Non-shielded	Shielded	Non-shielded
Sensing distance (Sn: mm)		2...8mm adjustable	2...15mm adjustable	2...8mm adjustable	2...15mm adjustable
Standard sensing object		Steel 24x24x1mm	Steel 45x45x1mm	Steel 24x24x1mm	Steel 45x45x1mm
Effective sensing distance (Sr: mm)		90 ... 110% of Sn		90 ... 110% of Sn	
Assured operating distance (Sa: mm)		0 ... 80% of Sn		0 ... 80% of Sn	
Hysteresis		<15%		<15%	
Housing material		Nickel plated brass/PBT Resin		Nickel plated brass/PBT Resin	
Operating voltage		20 ... 250VAC		20 ... 250VAC	

Electrical Data			
Rated operating voltage		110VAC	110VAC
Repeated accuracy		±10%	±10%
Surge current		5A(20ms)	5A(20ms)
No load current		<2.5mA	<2.5mA
Max. Load current		300mA	300mA
Leakage current		<2.5mA	<2.5mA
Voltage drop		<9VAC at 300mA	<9VAC at 300mA
Switching frequency		<25Hz	<25Hz
Response time		10ms/10ms	10ms/10ms
Rated insulation voltage		250VAC	250VAC
Operating temperature		-25°C ... +70°C	-25°C ... +70°C
Storage temperature		-40°C ... +80°C	-40°C ... +80°C
Temperature drift		<10%	<10%
Power indicator		No	No
Function indicator		Yellow LED	Yellow LED
Reverse polarity protection		No	No
Short-circuit protection		No	No
Min. load current		5mA	5mA
Correction factors		Fe37 steel=1/stainless steel approx. 0.85/brass approx. 0.5/ Al. Approx. 0.45/ copper approx. 0.4	Fe37 steel=1/stainless steel approx. 0.85/brass approx. 0.5/ Al. Approx. 0.45/ copper approx. 0.4

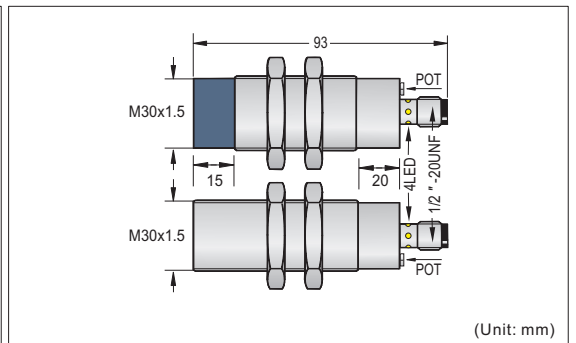
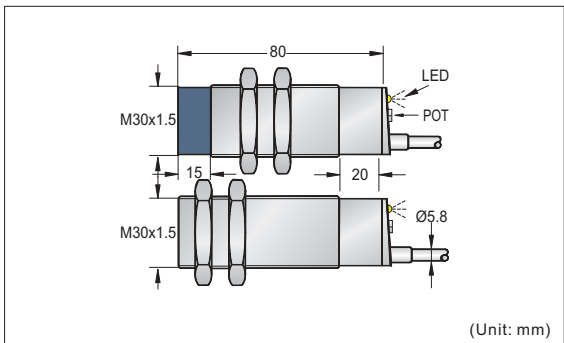
Mechanical Data			
Sensing surface material		PBT	PBT
Protection		IP67	IP67
Shock rating		Shock, half-sinus, 30gn, 11ms	Shock, half-sinus, 30gn, 11ms
Vibration rating		55Hz, 1mm ampl., 3x30min.	55Hz, 1mm ampl., 3x30min.
EMC		IEC 60947-5-2	IEC 60947-5-2
Accessory		2 nuts	2 nuts
Connection		2m PVC cable (Ø5 3x0.5mm ² /2x0.5mm ²)	Micro-style 3 Pin 1/2" connector
Weight		Approx. 115g	Approx. 94g



Features

- M30mm diameter
- 20-250VAC operating voltage
- Sn=2 ... 20mm, shielded
2 ... 30mm, non-shielded
- Brass housing case
PBT housing case
- AC Output
- NO,NC Function
- Cable version
3 Pin M12 Connector version
- IP67 Protection

CE



Connection		2m Cable		3 Pin M12 Connector	
Mounting		Shielded	Non-shielded	Shielded	Non-shielded
Brass Case	AC-NO	C8AE30P20A	C8AF30P30A	C8AE30P20L	C8AF30P30L
	AC-NC	C8AE30Q20A	C8AF30Q30A	C8AE30Q20L	C8AF30Q30L
PBT Case	AC-NO	C8ME30P20A	C8MF30P30A	C8ME30P20L	C8MF30P30L
	AC-NC	C8ME30Q20A	C8MF30Q30A	C8ME30Q20L	C8MF30Q30L

General Data		M30mm		M30mm	
Installation type		Shielded	Non-shielded	Shielded	Non-shielded
Sensing distance(Sn: mm)		2...20mm adjustable	2...30mm adjustable	2...20mm adjustable	2...30mm adjustable
Standard sensing object		Steel 60x60x1mm	Steel 90x90x1mm	Steel 60x60x1mm	Steel 90x90x1mm
Effective sensing distance (Sr: mm)		90 ... 110% of Sn		90 ... 110% of Sn	
Assured operating distance(Sa: mm)		0 ... 80% of Sn		0 ... 80% of Sn	
Hysteresis		<15%		<15%	
Housing material		Nickel plated brass/PBT Resin		Nickel plated brass/PBT Resin	
Operating voltage		20 ... 250VAC		20 ... 250VAC	

Electrical Data			
Rated operating voltage		110VAC	110VAC
Repeated accuracy		±10%	±10%
Surge current		5A(20ms)	5A(20ms)
No load current		<2.5mA	<2.5mA
Max. Load current		300mA	300mA
Leakage current		<2.5mA	<2.5mA
Voltage drop		<9VAC at 300mA	<9VAC at 300mA
Switching frequency		<25Hz	<25Hz
Response time		10ms/10ms	10ms/10ms
Rated insulation voltage		250VAC	250VAC
Operating temperature		-25°C ... +70°C	-25°C ... +70°C
Storage temperature		-40°C ... +80°C	-40°C ... +80°C
Temperature drift		<10%	<10%
Power indicator		No	No
Function indicator		Yellow LED	Yellow LED
Reverse polarity protection		No	No
Short-circuit protection		No	No
Min. load current		5mA	5mA
Correction factors		Fe37 steel=1/stainless steel approx. 0.85/brass approx. 0.5/ Al. Approx. 0.45/ copper approx. 0.4	Fe37 steel=1/stainless steel approx. 0.85/brass approx. 0.5/ Al. Approx. 0.45/ copper approx. 0.4

Mechanical Data			
Sensing surface material		PBT	PBT
Protection		IP67	IP67
Shock rating		Shock, half-sinus, 30gn, 11ms	Shock, half-sinus, 30gn, 11ms
Vibration rating		55Hz, 1mm ampl., 3x30min.	55Hz, 1mm ampl., 3x30min.
EMC		IEC 60947-5-2	IEC 60947-5-2
Accessory		2 nuts	2 nuts
Connection		2m PVC cable (Ø5.8 3x0.5mm ² /2x0.5mm ²)	Micro-style 3 Pin M12 1/2" connector
Weight		Approx. 231g	Approx. 137g



Features <ul style="list-style-type: none"> • Ø34mm diameter • 20-250VAC operating voltage • Sn=2 ... 25mm, shielded 2 ... 35mm, non-shielded • PBT housing case • AC Output • NO, NC Function • Cable version 3 Pin M12 Connector version • IP67 Protection 	<p style="text-align: right;">(Unit: mm)</p>		<p style="text-align: right;">(Unit: mm)</p>	
CE				
Connection	2m Cable		3 Pin M12 Connector	
Mounting	Shielded	Non-shielded	Shielded	Non-shielded
Brass Case	AC-NO			
	AC-NC			
PBT Case	AC-NO	C8NE34P25A	C8NF34P35A	C8NE34P25L
	AC-NC	C8NE34Q25A	C8NF34Q35A	C8NE34Q25L
General Data				
Housing size	Ø34mm		Ø34mm	
Installation type	Shielded	Non-shielded	Shielded	Non-shielded
Sensing distance(Sn: mm)	2...25mm adjustable	2...35mm adjustable	2...25mm adjustable	2...35mm adjustable
Standard sensing object	Steel 75x75x1mm	Steel 105x105x1mm	Steel 75x75x1mm	Steel 105x105x1mm
Effective sensing distance (Sr: mm)	90 ... 110% of Sn		90 ... 110% of Sn	
Assured operating distance(Sa: mm)	0 ... 80% of Sn		0 ... 80% of Sn	
Hysteresis	<15%		<15%	
Housing material	PBT Resin/PBT		PBT Resin/PBT	
Operating voltage	20 ... 250VAC		20 ... 250VAC	
Electrical Data				
Rated operating voltage	110VAC		110VAC	
Repeated accuracy	±10%		±10%	
Surge current	5A(20ms)		5A(20ms)	
No load current	<2.5mA		<2.5mA	
Max. Load current	300mA		300mA	
Leakage current	<2.5mA		<2.5mA	
Voltage drop	<9VAC at 300mA		<9VAC at 300mA	
Switching frequency	<25Hz		<25Hz	
Response time	10ms/10ms		10ms/10ms	
Rated insulation voltage	250VAC		250VAC	
Operating temperature	-25°C ... +70°C		-25°C ... +70°C	
Storage temperature	-40°C ... +80°C		-40°C ... +80°C	
Temperature drift	<10%		<10%	
Power indicator	No		No	
Function indicator	Yellow LED		Yellow LED	
Reverse polarity protection	No		No	
Short-circuit protection	No		No	
Min. load current	5mA		5mA	
Correction factors	Fe37 steel=1/stainless steel approx. 0.85/brass approx. 0.5/ Al. Approx. 0.45/ copper approx. 0.4		Fe37 steel=1/stainless steel approx. 0.85/brass approx. 0.5/ Al. Approx. 0.45/ copper approx. 0.4	
Mechanical Data				
Sensing surface material	PBT		PBT	
Protection	IP67		IP67	
Shock rating	Shock, half-sinus, 30gn, 11ms		Shock, half-sinus, 30gn, 11ms	
Vibration rating	55Hz, 1mm ampl., 3x30min.		55Hz, 1mm ampl., 3x30min.	
EMC	IEC 60947-5-2		IEC 60947-5-2	
Accessory	Bracket and nuts		Bracket and nuts	
Connection	2m PVC cable (Ø5.8 2x0.5mm ²)		Micro-style 3 Pin M12 ½" connector	
Weight	Approx. 250g		Approx. 162g	