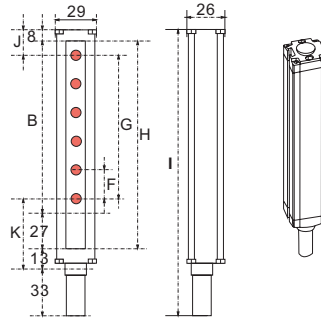




Features

- Up to 500 Beam channels
- Less than 10 mm Beam pitch
- 60 ... 2000mm Sensing height
- 1 ... 5m Sensing Range
- Built-in electric protection
- -15°C ... +65°C operating temperature
- Cable version
- M12 connector version
- IP65 protection



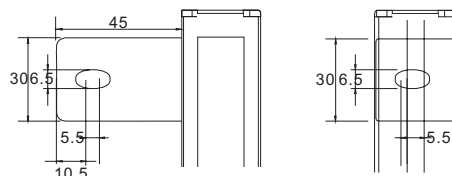
B: Beam plate length
 F: Beam pitch
 H: Panel height
 L: Beam channel number
 Protection Height $G=(L-1) \times F$ mm
 Overall Height $I=L \times F+81$ mm
 Upper Blind Height $J=F/2+8$ mm
 Lower Blind Height $K=F/2+40$ mm

(Unit: mm)

Specifications

Beam pitch	10mm										
Beam channels	8	12	16	20	24	28	32	...			
Sensing height	70mm	110mm	150mm	190mm	230mm	270mm	310mm	...			
Cable version	Emitter	EB0810K03ALA EB1210K03ALA EB1610K03ALA EB2010K03ALA EB2410K03ALA EB2810K03ALA EB3210K03ALA ...									
		Receiver	NPN-NO	EB0810C03ALA EB1210C03ALA EB1610C03ALA EB2010C03ALA EB2410C03ALA EB2810C03ALA EB3210C03ALA ...							
			NPN-NC	EB0810D03ALA EB1210D03ALA EB1610D03ALA EB2010D03ALA EB2410D03ALA EB2810D03ALA EB3210D03ALA ...							
			PNP-NO	EB0810A03ALA EB1210A03ALA EB1610A03ALA EB2010A03ALA EB2410A03ALA EB2810A03ALA EB3210A03ALA ...							
			PNP-NC	EB0810B03ALA EB1210B03ALA EB1610B03ALA EB2010B03ALA EB2410B03ALA EB2810B03ALA EB3210B03ALA ...							
Relay SPDT	EB0810Y03ALA EB1210Y03ALA EB1610Y03ALA EB2010Y03ALA EB2410Y03ALA EB2810Y03ALA EB3210Y03ALA ...										
M12 connector	Emitter	EB0810K03HLA EB1210K03HLA EB1610K03HLA EB2010K03HLA EB2410K03HLA EB2810K03HLA EB3210K03HLA ...									
		Receiver	NPN-NO	EB0810K03HLA EB1210K03HLA EB1610K03HLA EB2010K03HLA EB2410K03HLA EB2810K03HLA EB3210K03HLA ...							
			NPN-NC	EB0810K03HLA EB1210K03HLA EB1610K03HLA EB2010K03HLA EB2410K03HLA EB2810K03HLA EB3210K03HLA ...							
			PNP-NO	EB0810K03HLA EB1210K03HLA EB1610K03HLA EB2010K03HLA EB2410K03HLA EB2810K03HLA EB3210K03HLA ...							
			PNP-NC	EB0810K03HLA EB1210K03HLA EB1610K03HLA EB2010K03HLA EB2410K03HLA EB2810K03HLA EB3210K03HLA ...							
Beam pitch	10mm,15mm,20mm,30mm,40mm,60mm										
Sensing range	3m Standard(1 ... 5m customized sensing range)										
Sensing object	Φ15mm or more opaque object(<15mm sensing object can also be customized)										
Supply voltage	12 to 24V DC ±10% Ripple p-p 10% or less										
Sensing mode	Through beam										
Synchronous mode	Optical Signal Synchronous or Cable Line Synchronous										
Output	NPN	NPN open-collector transistor, Max. Load current:100mA; Voltage Drop: <1.5V									
	PNP	PNP open-collector transistor, Max. load current:100mA; Voltage Drop: <1.5V									
	Relay	Relay SPDT, 5A/250VAC, 5A/30VDC									
Output operation	ON when all beams are received, OFF when one or more beams are interrupted.										
Short-circuit protection	Built-in										
Response time	10ms or less										
Indicator	Emitter	Power indicator: green LEDX2(light up when the power is ON; If emitter is off that is indicated by the number of LEDs lighting up)									
	Receiver	Operation indicator: Red LED(lights up when one or more beams are interrupted), Stable indicator: Green LED(lights up when all beams are stable received)									
Protection	IP65										
Interference prevention function	Incorporated										
Ambient temperature	-15°C ... +65°C										
Ambient humidity	35 to 85% RH										
Ambient illuminance	Sunlight: 10,000L x at the light -receiving face, Incandescent light: 3,000 x at the light-receiving face										
EMC immunity	RFI>10V/m(in 30-1000MHZ), EFT>1KV, ESD>4KV(contact)										
Voltage withstand ability	1,000 V AC for one min. between all supply terminals connected together and enclosure										
Insulation resistance	>100 MΩ										
Vibration resistance	10 to 150 Hz frequency, 0.75 mm 0.030 in amplitude in X, Y and Z directions for two hours each										
Shock resistance	490m/s2, acceleration(50G approx) in X, Y and Z directions for three times each										
Emitting	Infrared LED										
Material	Aluminum Enclosure, Polyester lens										
Connection	2m PVC Cable / M12 Connector										
Weight (g)	Approx. 240g ... 570g										

Mounting brackets



(Unit: mm)