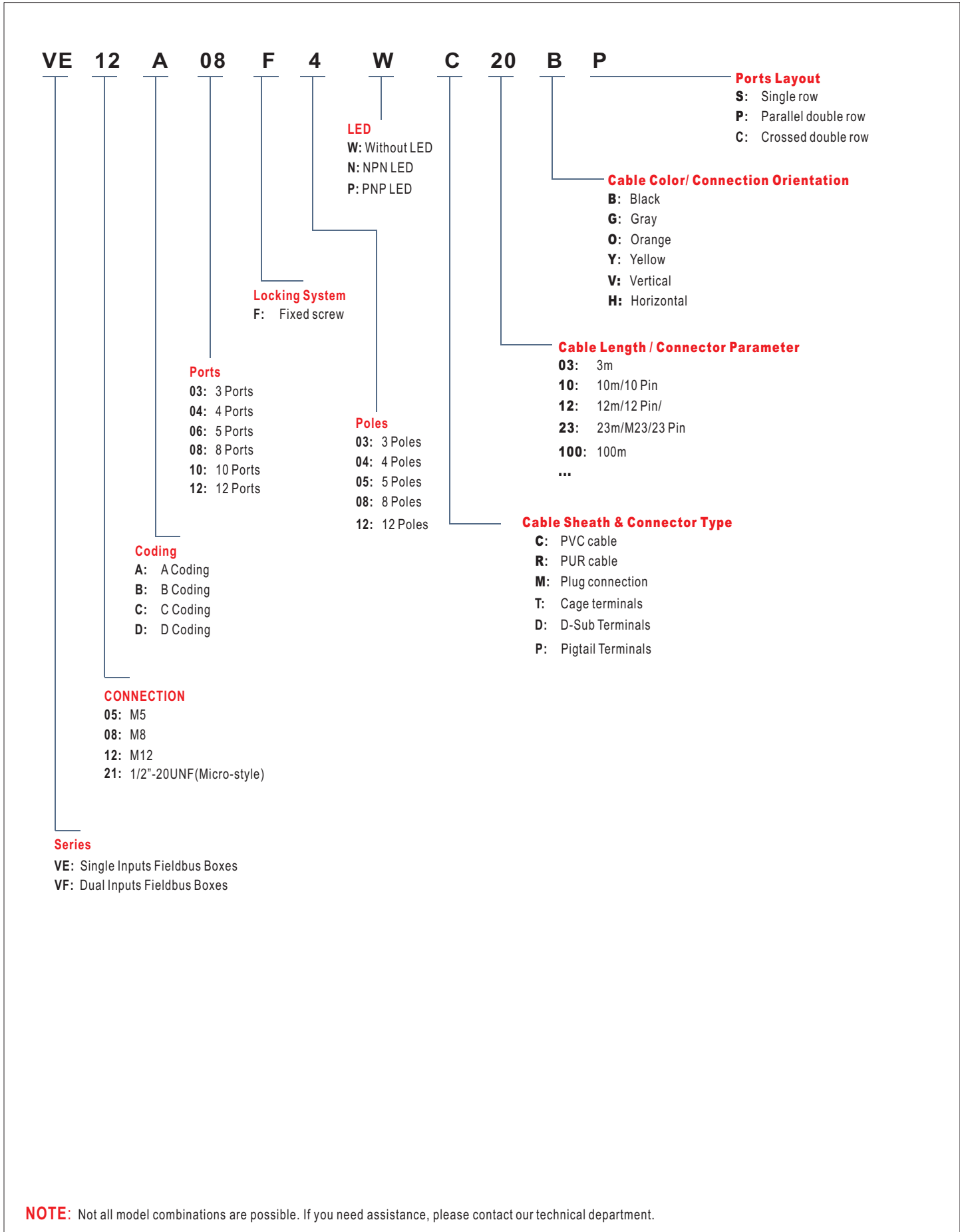




**SELECTION GUIDE FOR FIELDBUS BOXES**

**VE & VF Series Fieldbus Boxes**



**NOTE:** Not all model combinations are possible. If you need assistance, please contact our technical department.

### M8 Fieldbus Box, 4/8/12 Ports, with master cable

**Feature**

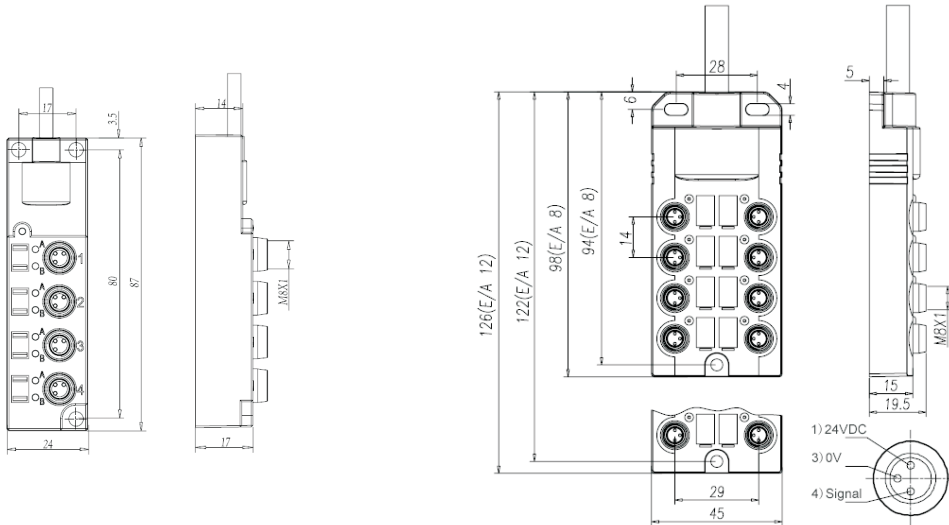
- M8 Fieldbus Boxes
- 4 ... 12 Ports
- 5 ... 15m Master Cable
- NPN/PNP with Built-in LED
- A-coded
- IP67 Protection
- Single Input



Gender	M8 Female		
Ports	4	8	12
PNP	VE08A04F03PC05BS	VE08A08F03PC05BP	VE08A12F03PC05BP
NPN	VE08A04F03NC05BS	VE08A08F03NC05BP	VE08A12F03NC05BP
Without LED			

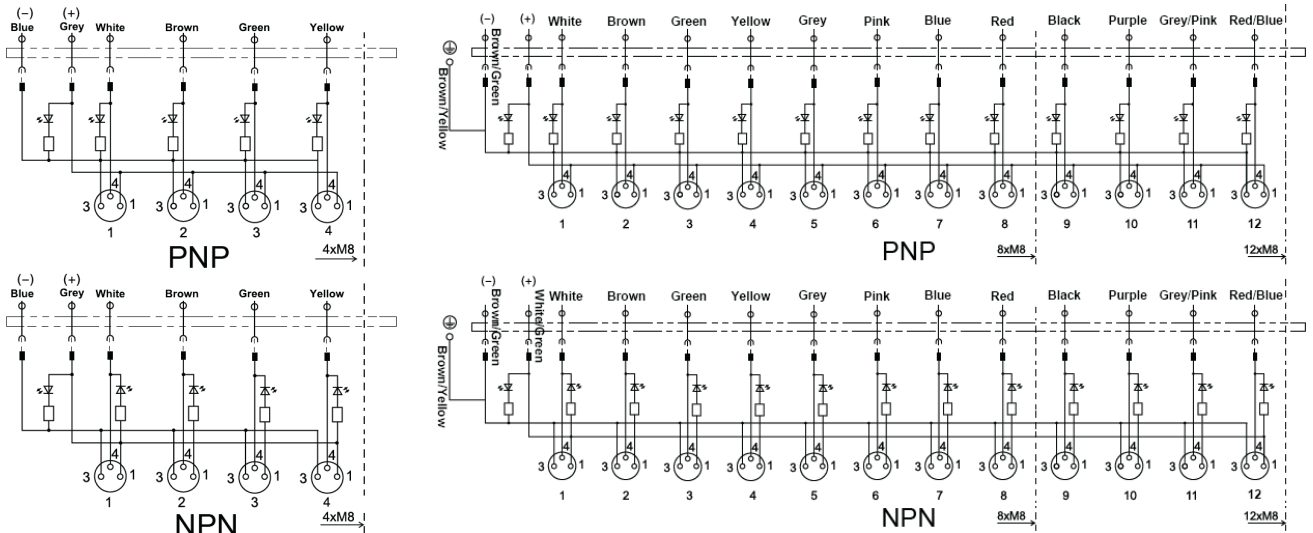
Coding	A-coded	Contacts	CuSn
Shielded	Non-shielded	Contact surface	Ni/Au
Operating voltage	24VDC, 30VDC max.	Contact resistance	<5mΩ
Operating current	≤2mA per channel display element	Housing	PBT
Current loading	≤2A per channel, ≤2A per slot, ≤6A total current per block	Coupling nut/screw	Brass with nickel plated
LED	Green LED: Supply voltage per module, Yellow LED: I/O status indication	Sealing	FKM
Ambient temperature	-30°C ...+80°C	Cables	PVC/PUR, black/grey all is available
Protection degree	IP67	Cable strands	Signal line:0.34mm <sup>2</sup> , Supply line: 0.75mm <sup>2</sup>
Connection	Cable:stranded wire	Cable bending	>10x line diameter
		Remarks	Contact us if special specifications.

**Dimensions**



(Unit: mm)

**Wiring Diagrams**



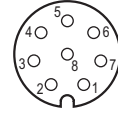
### M8 Fieldbus Box, 4/8/12 Ports, with master cable

**Features**

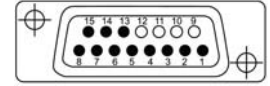
- M8 Fieldbus Boxes
- 4...12 Ports
- M12 Plug/D-Sub Plug M12
- NPN/PNP with Built-in LED
- A-coded
- IP67 Protection
- Single Input



M12x1 Female View



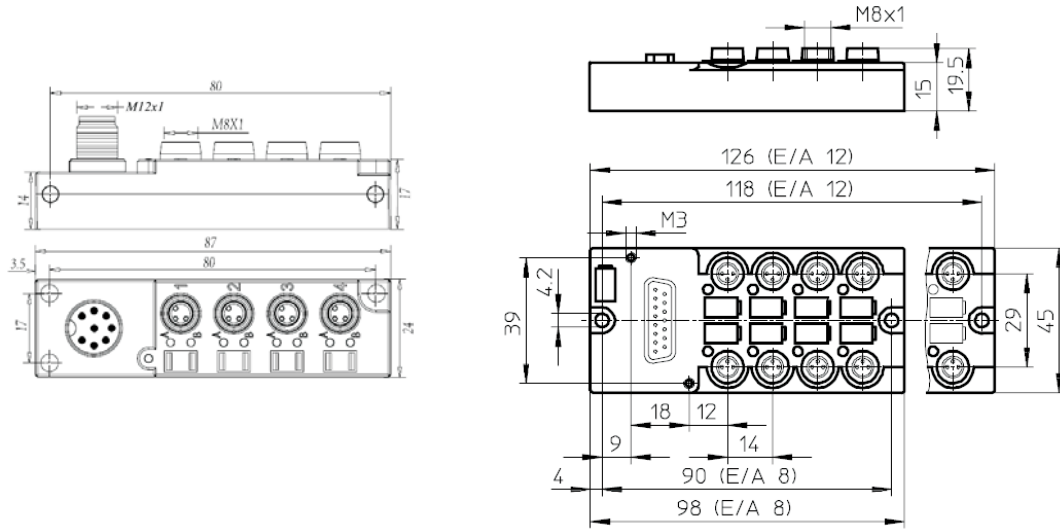
D-Sub Female View



Gender	M8 Female		
Ports	4	8	12
PNP	VE08A04F03PM08VS	VE08A03F15PD15VP	VE08A03F15PD15VP
NPN	VE08A04F03NM08VS	VE08A03F15ND15VP	VE08A03F15ND15VP
Note	8 Pin M12 Male Plug	15 Pin D-Sub Terminals	

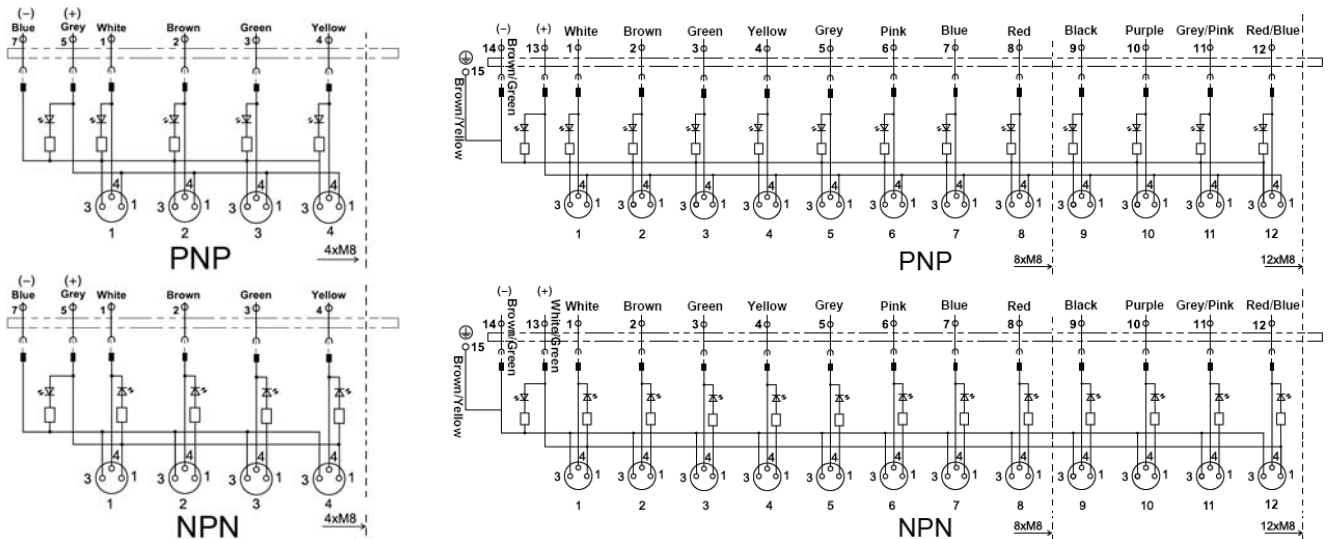
Coding	A-coded	Contacts	CuSn
Shielded	Non-shielded	Contact surface	Ni/Au
Operating voltage	24VDC, 30VDC max.	Contact resistance	<5mΩ
Operating current	≤2mA per channel display element	Housing	PBT
Current loading	≤2A per channel, ≤2A per slot, ≤6A total current per block	Coupling nut/screw	Brass with nickel plated
LED	Green LED: Supply voltage per module, Yellow LED: I/O status indication	Sealing	FKM
Ambient temperature	-30°C ...+80°C	Sockets	Female, M8 3-Pin
Protection degree	IP67	D-Sub Terminals	Male, 15 Pin
Connection	Male, M12x1, 8 Pin	Inputs	Single
		Remarks	Contact us if special specifications.

Dimensions



(Unit: mm)

Wiring Diagrams



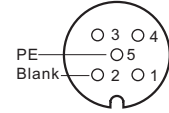
## M12 Fieldbus Box, 4/8/12 Ports, with master cable

### Features

- M8 Fieldbus Boxes
- 4 ... 12 Ports
- 5 ... 15m Master Cable
- 24VDC NPN/PNP with Built-in LED 125VAC/DC
- A-coded
- IP67 Protection
- Single Input



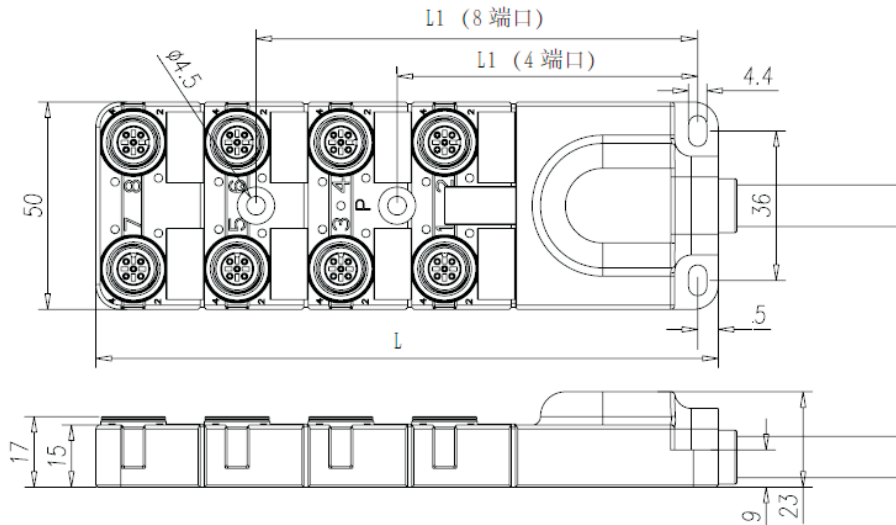
M12x1 Female View



Gender	M12 Female		
Ports	4	8	12
PNP	VE12A04F05PC05BP	VE12A08F05PC05BP	VE12A12F05PC05BP
NPN	VE12A04F05NC05BP	VE12A08F05NC05BP	VE12A12F05NC05BP
Without LED	VE12A04F05WC05BP	VE12A08F05WC05BP	VE12A12F05WC05BP

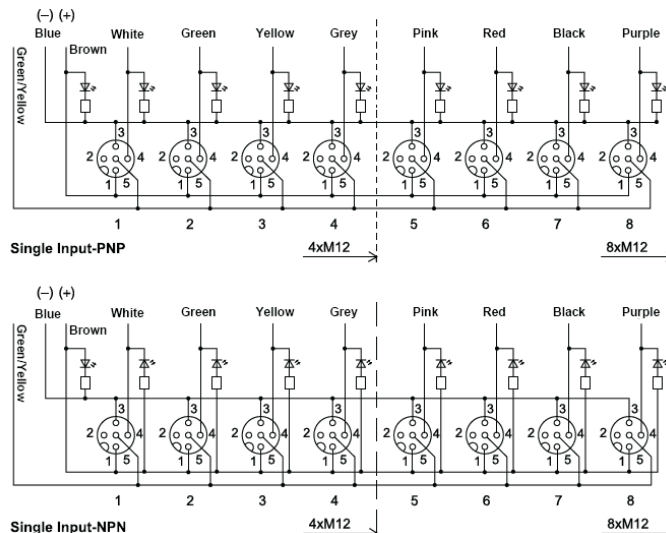
Coding	A-coded	Contacts	CuSn
Shielded	Non-shielded	Contact surface	Ni/Au
Operating voltage	24VDC, 30VDC max. 125VAC/DC(without LED)	Contact resistance	<5mΩ
Operating current	≤2mA per channel display element	Housing	PBT
Current loading	≤2A per channel, ≤2A per slot, ≤6A total current per block	Coupling nut/screw	Brass with nickel plated
LED	Green LED: Supply voltage per module, Yellow LED: I/O status indication	Sealing	FKM
Ambient temperature	-30°C ...+80°C	Cables	PVC/PUR, black/grey all is available
Protection degree	IP67	Cable strands	Signal line:0.34mm <sup>2</sup> , Supply line: 0.75mm <sup>2</sup>
Connection	Cable:stranded wire	Cable bending	>10x line diameter
		Remarks	Contact us if special specifications.

Dimensions



(Unit: mm)

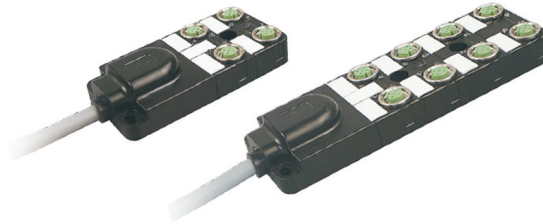
Wiring Diagrams



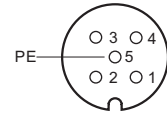
## M12 Fieldbus Box, 4/8/12 Ports, with master cable

### Features

- M12 Fieldbus Boxes
- 4 ... 12 Ports
- 5 ... 15m Master Cable
- 24VDC NPN/PNP with Built-in LED
- 125VAC/DC Without LED
- A-coded
- IP67 Protection
- Dual Input



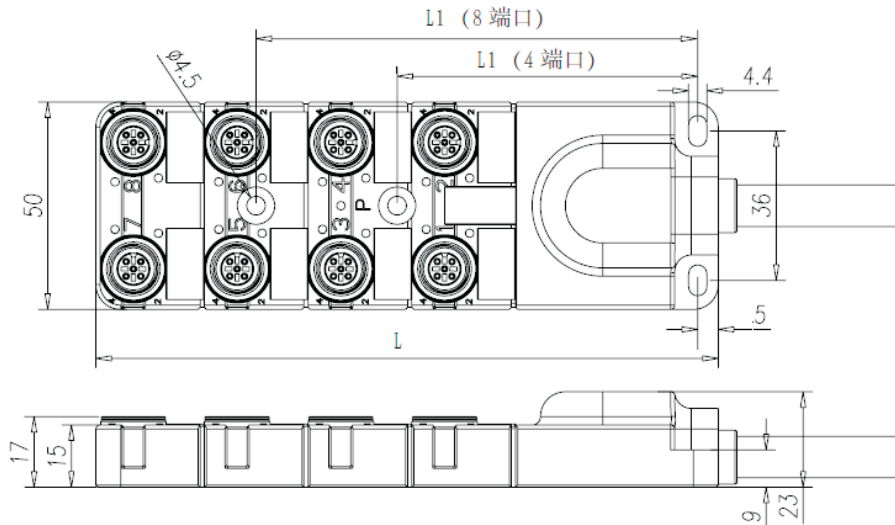
M12x1 Female View



Gender	M12 Female		
Ports	4	8	12
PNP	VF12A04F05PC05BP	VF12A08F05PC05BP	VF12A12F05PC05BP
NPN	VF12A04F05NC05BP	VF12A08F05NC05BP	VF12A12F05NC05BP
Note	VF12A04F05WC05BP	VF12A08F05WC05BP	VF12A12F05WC05BP

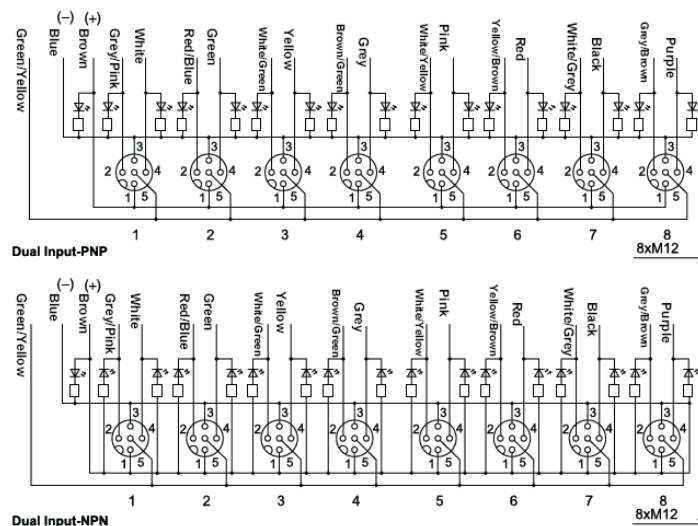
Coding	A-coded	Contacts	CuSn
Shielded	Non-shielded	Contact surface	Ni/Au
Operating voltage	24VDC, 30VDC max. 125VAC/DC(without LED)	Contact resistance	<5mΩ
Operating current	≤2mA per channel display element	Housing	PBT
Current loading	≤2A per channel, ≤4A per slot, ≤12A total current per block	Coupling nut/screw	Brass with nickel plated
LED	Green LED: Supply voltage per module, Yellow LED: I/O status indication	Sealing	FKM
Ambient temperature	-30°C ...+80°C	Cables	PVC/PUR, black/grey all is available
Protection degree	IP67	Cable strands	Signal line:0.34mm <sup>2</sup> , Supply line: 0.75mm <sup>2</sup>
Connection	Cable:stranded wire	Cable bending	>10x line diameter
		Remarks	Contact us if special specifications.

### Dimensions



(Unit: mm)

### Wiring Diagrams



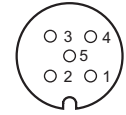
## M12 Fieldbus Box, 4/8 Ports, with M23 Plug

### Features

- M12 Fieldbus Boxes
- 4,8 Ports
- Male M23 Plug
- 24VDC NPN/PNP with Built-in LED
- 125VAC/DC Without LED
- A-coded
- IP67 Protection
- Single Input



M12x1 Female View

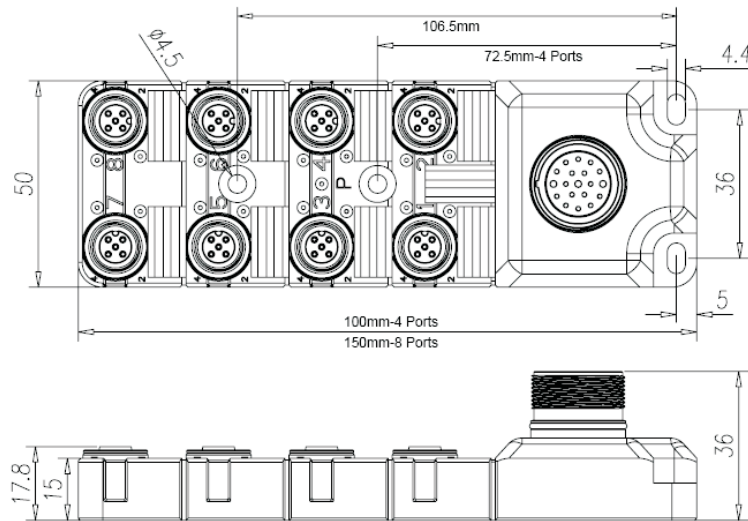


1. +
2. Blank
3. -
4. S1/NO
5. PE

Gender	M12 Female		
Ports	4	8	
PNP	VE12A04F05PM23VP	VE12A08F05PM23VP	
NPN	VE12A04F05NM23VP	VE12A08F05NM23VP	
Without LED	VE12A04F05WM23VP	VE12A08F05WM23VP	

Coding	A-coded	Contacts	CuSn
Shielded	Non-shielded	Contact surface	Ni/Au
Operating voltage	24VDC, 30VDC max. 125VAC/DC(without LED)	Contact resistance	<5mΩ
Operating current	≤2mA per channel display element	Housing	PBT
Current loading	≤2A per channel, ≤4A per slot, ≤12A total current per block	Coupling nut/screw	Brass with nickel plated
LED	Green LED: Supply voltage per module, Yellow LED: I/O status indication	Sealing	FKM
Ambient temperature	-30°C ...+80°C	Sockets	Female, M12 5-Pin
Protection degree	IP67	D-Sub Terminals	/
Connection	Male, M23x1, 19 Pin	Inputs	Single
		Remarks	Contact us if special specifications.

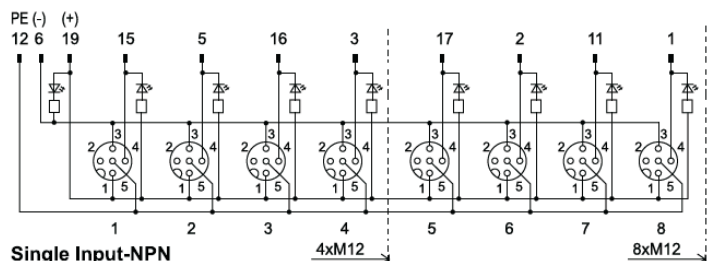
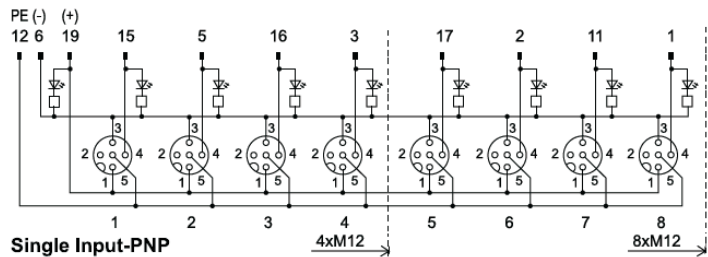
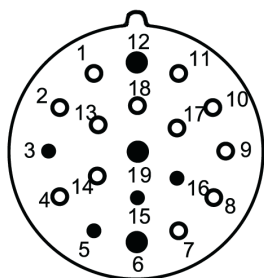
Dimensions



(Unit: mm)

Wiring Diagrams

M23 Female View





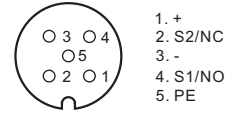
## M12 Fieldbus Box, 4/8 Ports, with M23 Plug

### Features

- M12 Fieldbus Boxes
- 4, 8 Ports
- Male M23 Plug
- 24VDC NPN/PNP with Built-in LED
- 125VAC/DC Without LED
- A-coded
- IP67 Protection
- Dual Input



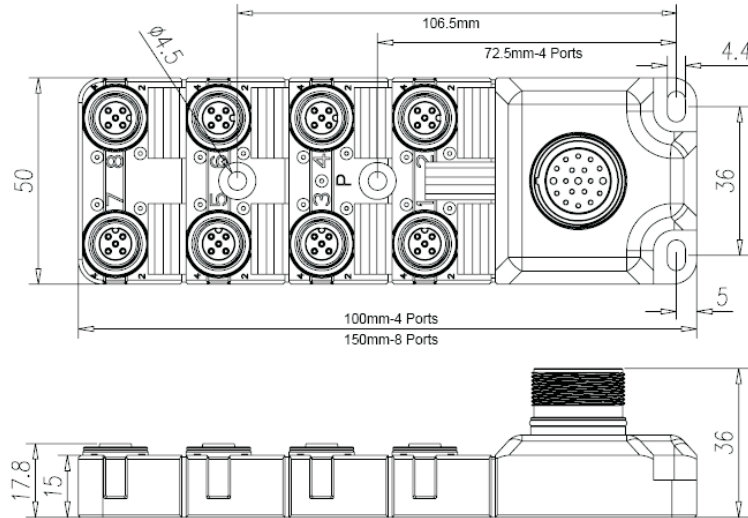
M12x1 Female View



Gender	M12 Female			
Ports	4	8		
PNP	VF12A04F05PM23VP	VF12A08F05PM23VP		
NPN	VF12A04F05NM23VP	VF12A08F05NM23VP		
Without LED	VF12A04F05WM23VP	VF12A08F05WM23VP		

Coding	A-coded	Contacts	CuSn
Shielded	Non-shielded	Contact surface	Ni/Au
Operating voltage	24VDC, 30VDC max. 125VAC/DC(without LED)	Contact resistance	<5mΩ
Operating current	≤2mA per channel display element	Housing	PBT
Current loading	≤2A per channel, ≤4A per slot, ≤12A total current per block	Coupling nut/screw	Brass with nickel plated
LED	Green LED: Supply voltage per module, Yellow LED: I/O status indication	Sealing	FKM
Ambient temperature	-30°C ...+80°C	Sockets	Female, M12 5-Pin
Protection degree	IP67	D-Sub Terminals	/
Connection	Male, M23x1, 19 Pin	Inputs	Dual
		Remarks	Contact us if special specifications.

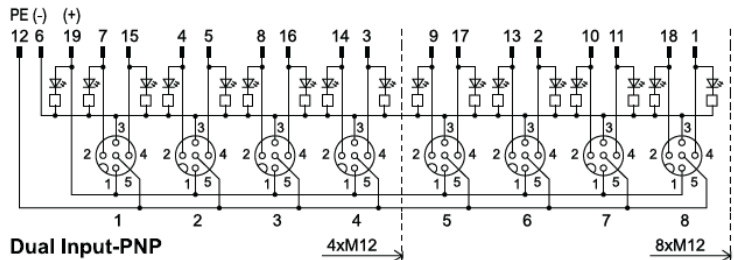
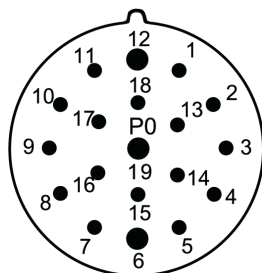
Dimensions



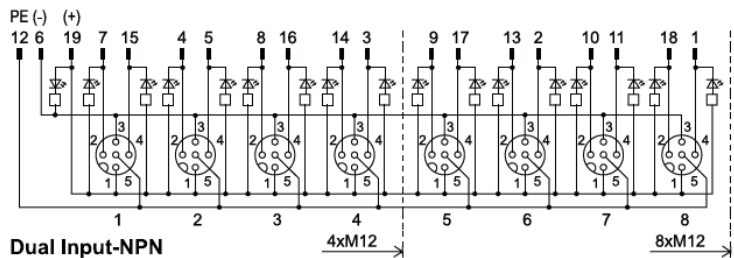
(Unit: mm)

Wiring Diagrams

M23 Male View



Dual Input-PNP



Dual Input-NPN